

# **Camarb** *professional sewing machines*

**CATALOGO RICAMBI**

**SPARE PARTS LIST**

**LISTE DES PIÈCES**

**CATALOG PIESE DE SCHIMB**

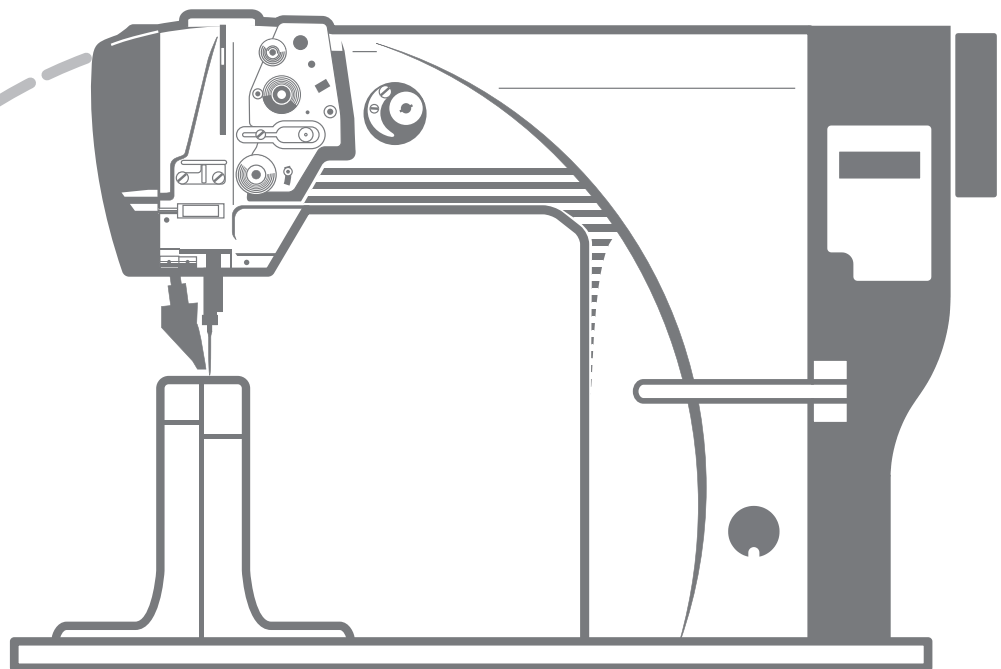
**N21-ALL-IN-ONE-CG**

**N22-ALL-IN-ONE-CG**

**N21-N-ALL-IN-ONE-CG**

**N22-N-ALL-IN-ONE-CG**

[www.bramac.it](http://www.bramac.it)



ver. 04-2017

# Indice - Index - Table - Indice

## ***Pezzi della macchina***

Machine parts

Pièces da la machine

Piese pentru mașina . . . . . **Pag. 1 ... 26**

## ***Pezzi soggetti ad usura***

Wearing parts

Pices d'usure

Piese supuse uzurii . . . . . **Pag. 27**

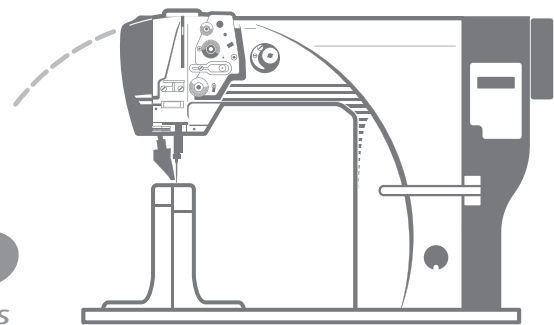
## ***Lista codici***

Code list

Liste de codes

Lista cu coduri . . . . . **Pag. 28 ... 32**

 **Camarb**  
professional sewing machines

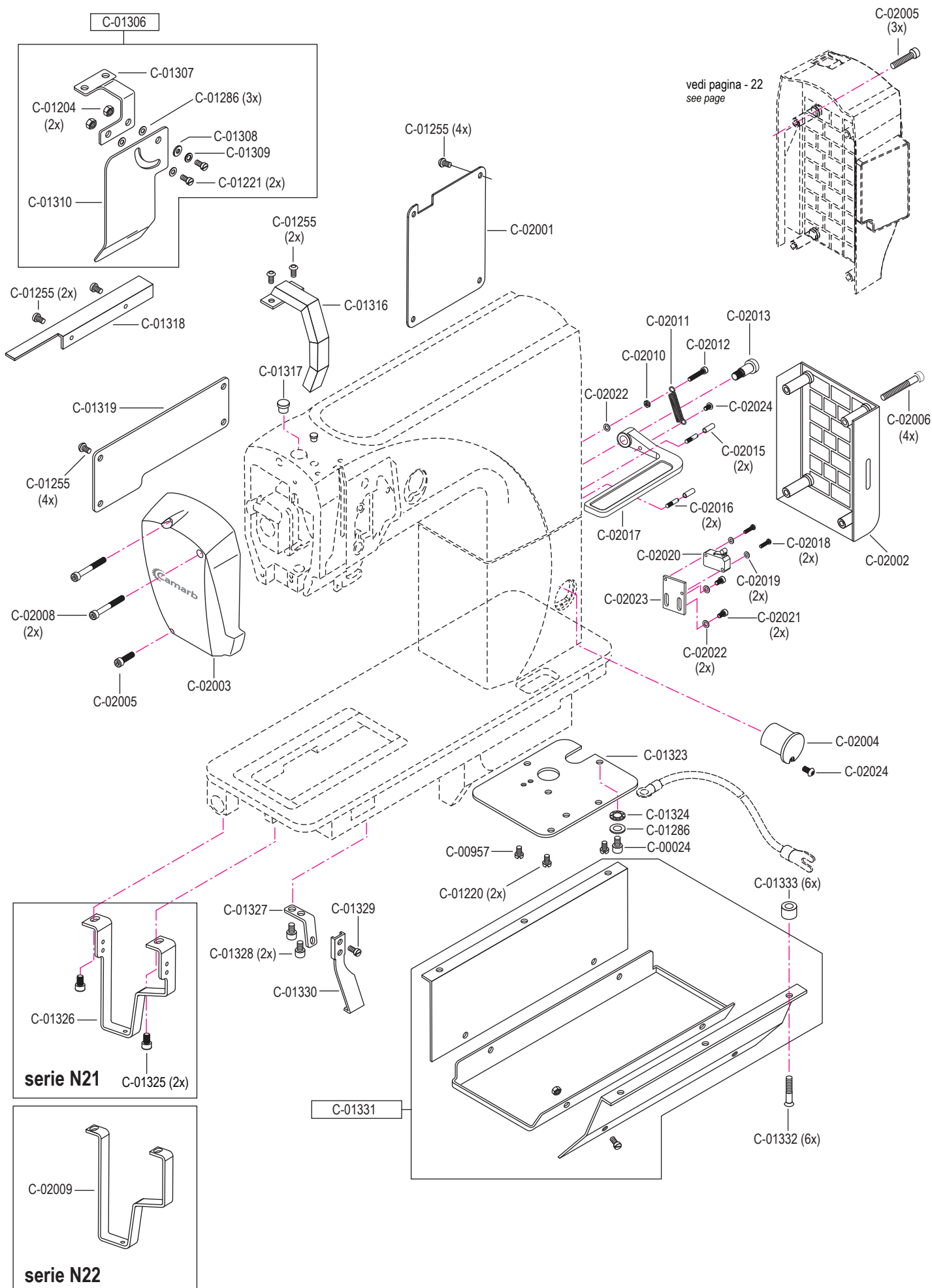


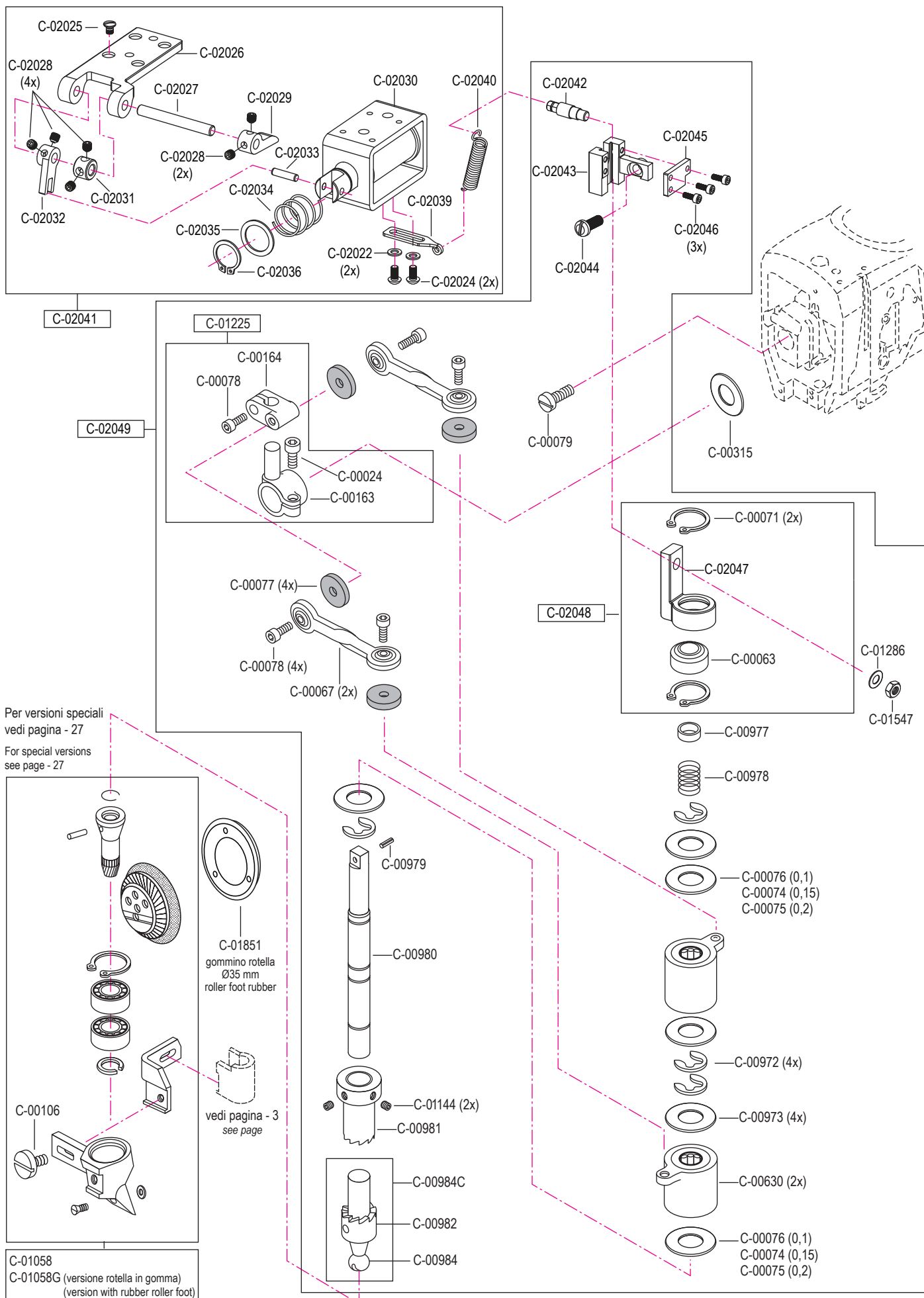
### ***Per ordini urgenti***

*For urgents orders  
Pour des ordres urgents  
Pe bazà de comandà urgentà*



**Mail** [fabrizio@bramac.it](mailto:fabrizio@bramac.it)  
**Phone** + 39.0734.890103  
**Fax** + 39.0734.890154

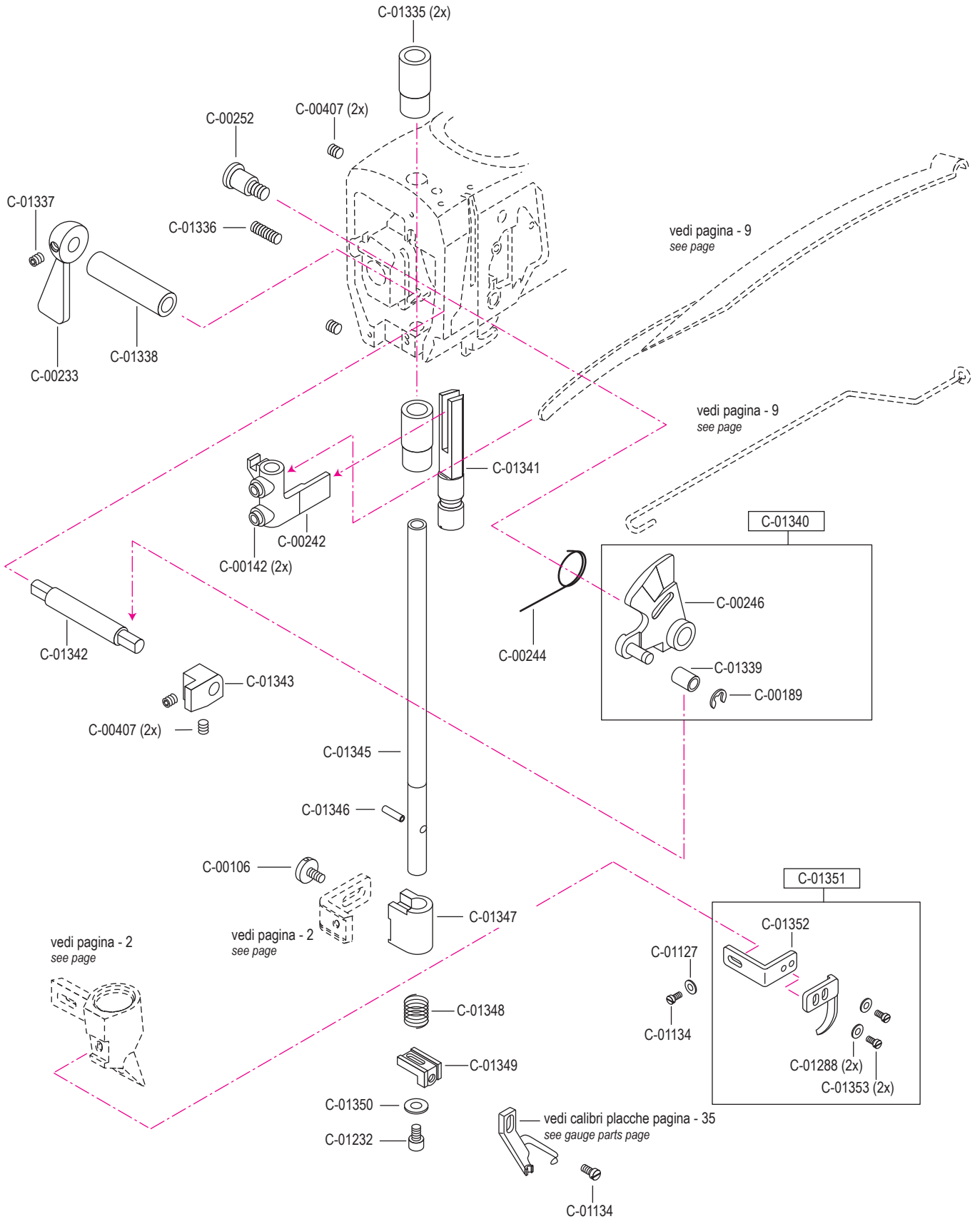


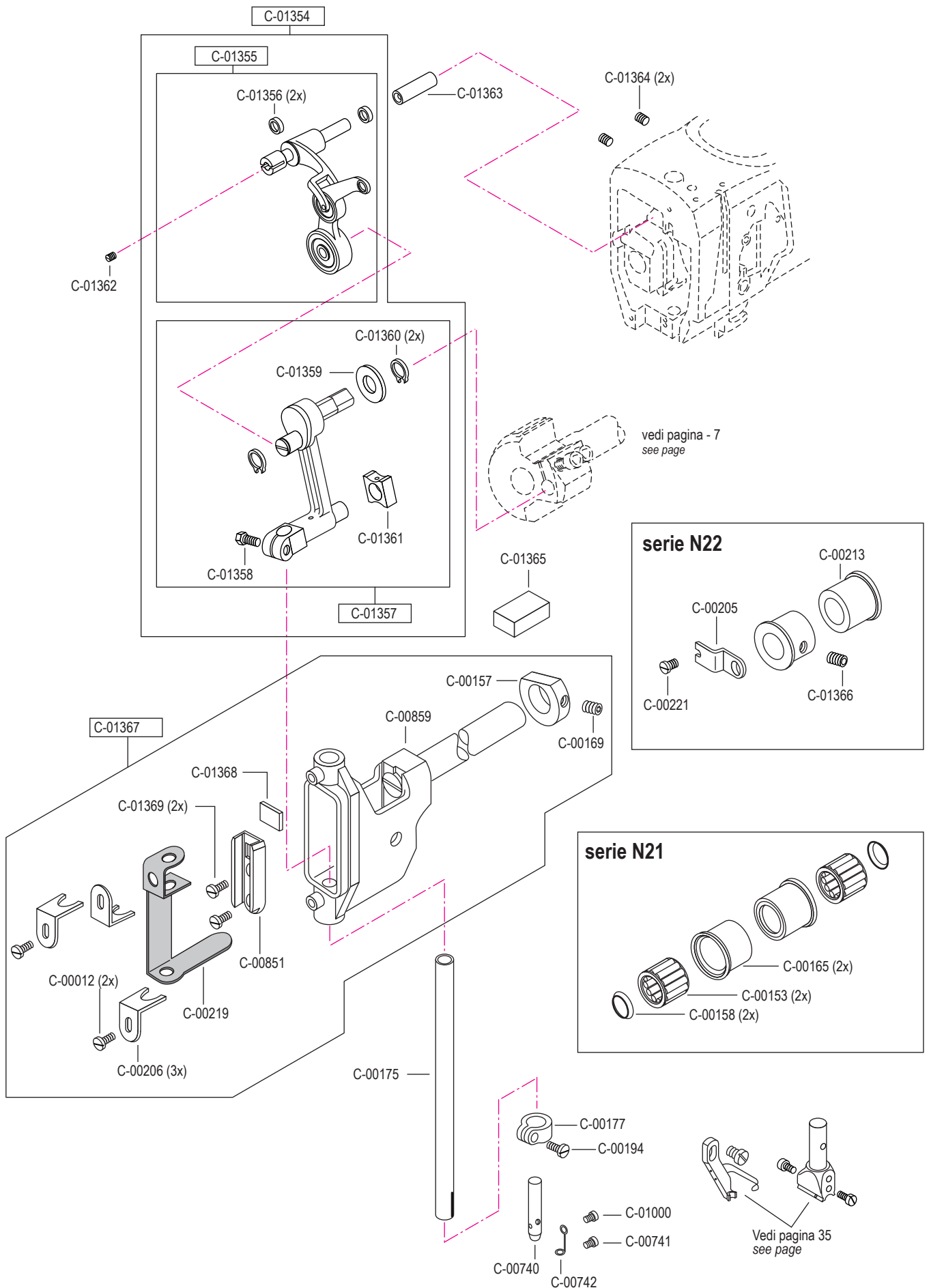


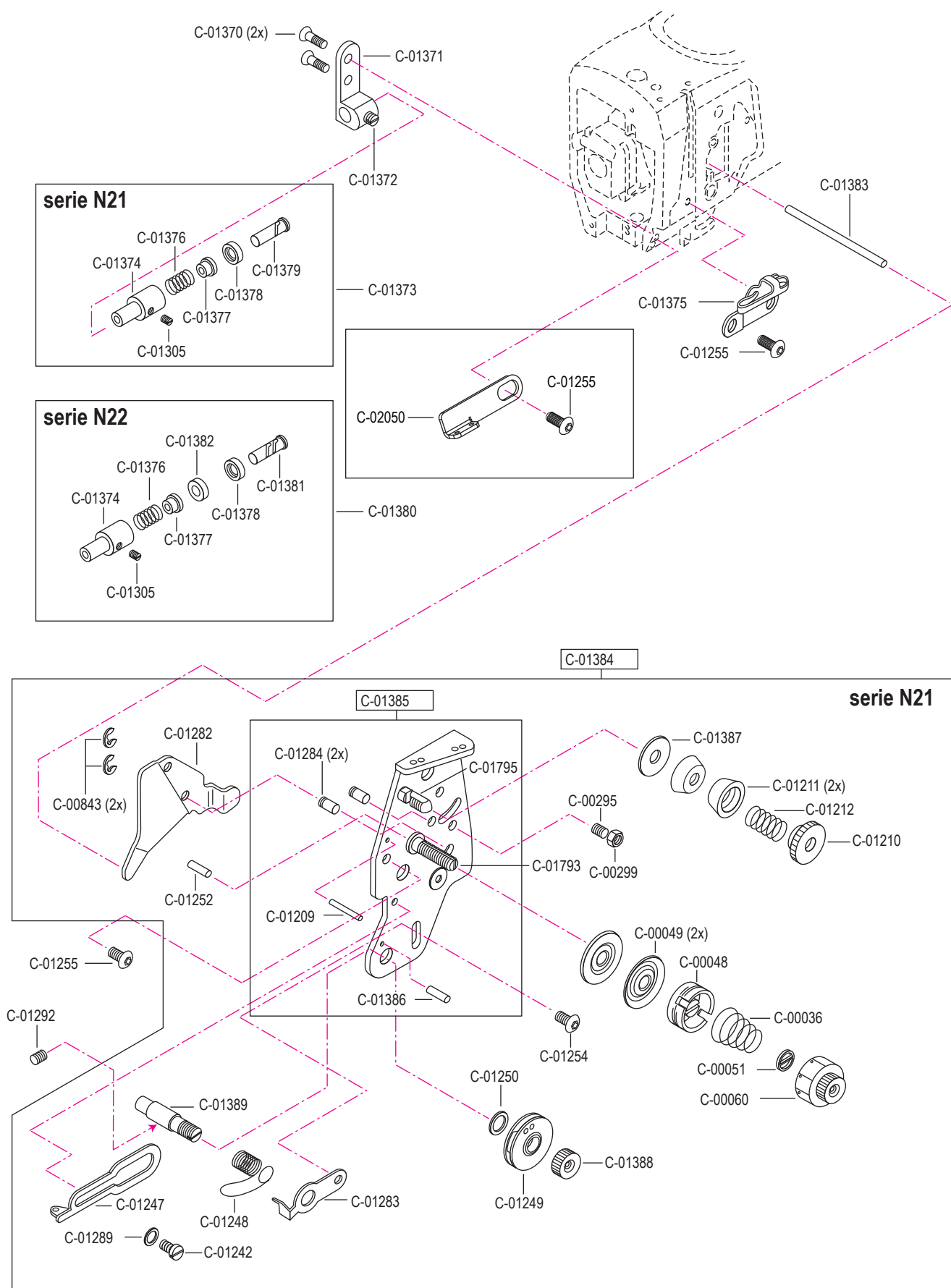
Per versioni speciali  
vedi pagina - 27

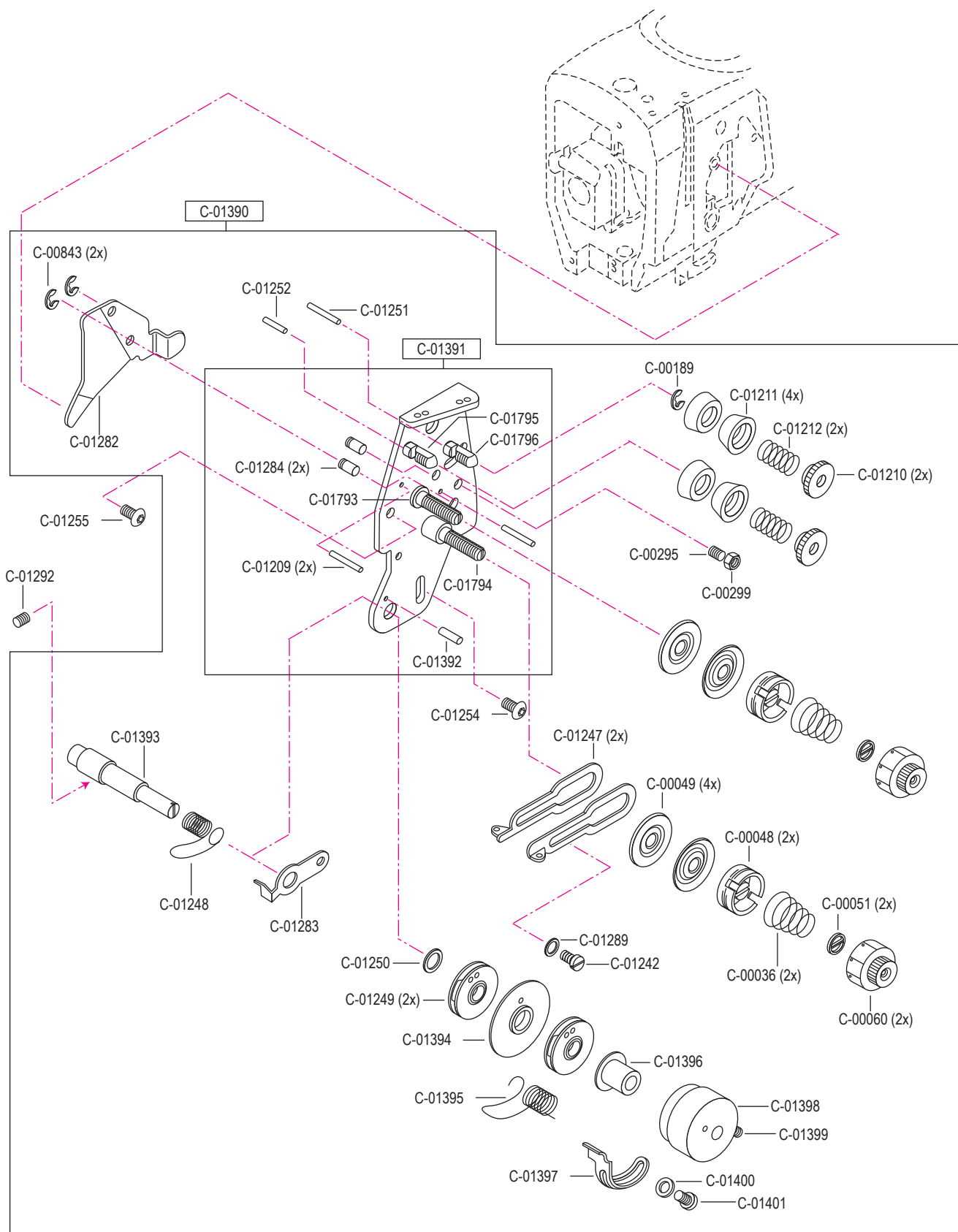
For special versions  
see page - 27

C-01058  
C-01058G (versione rotella in gomma)  
(version with rubber roller foot)

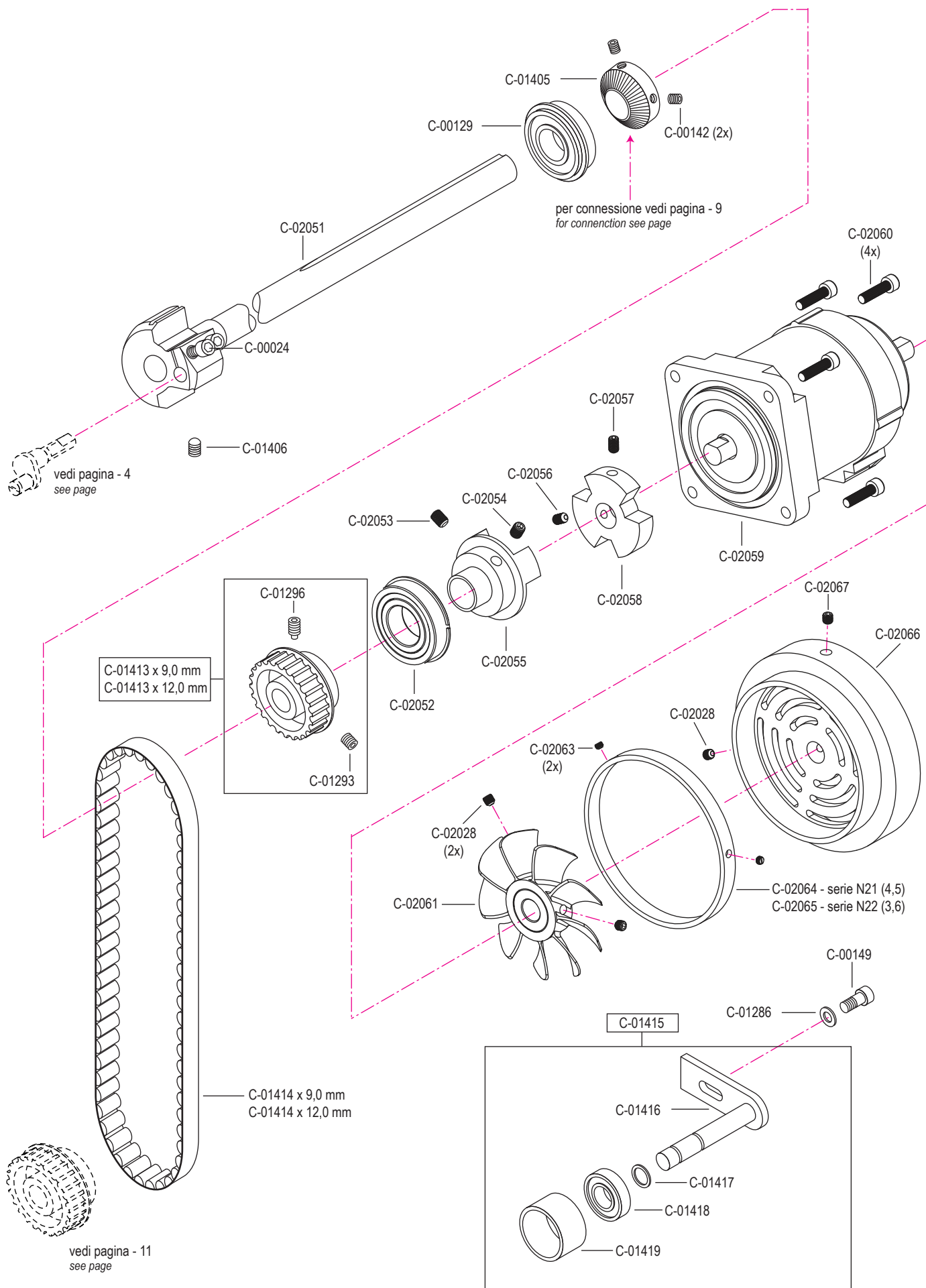


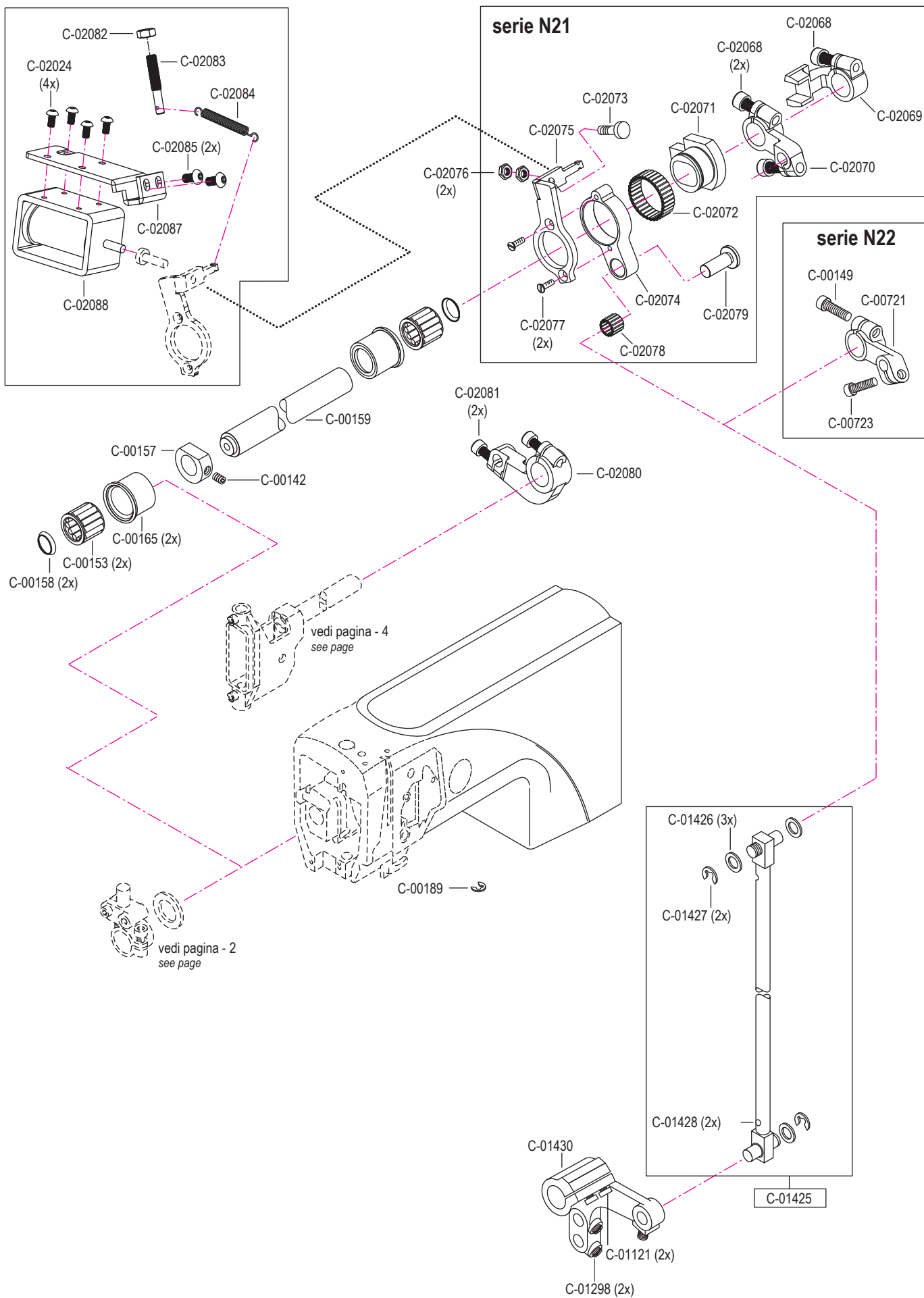


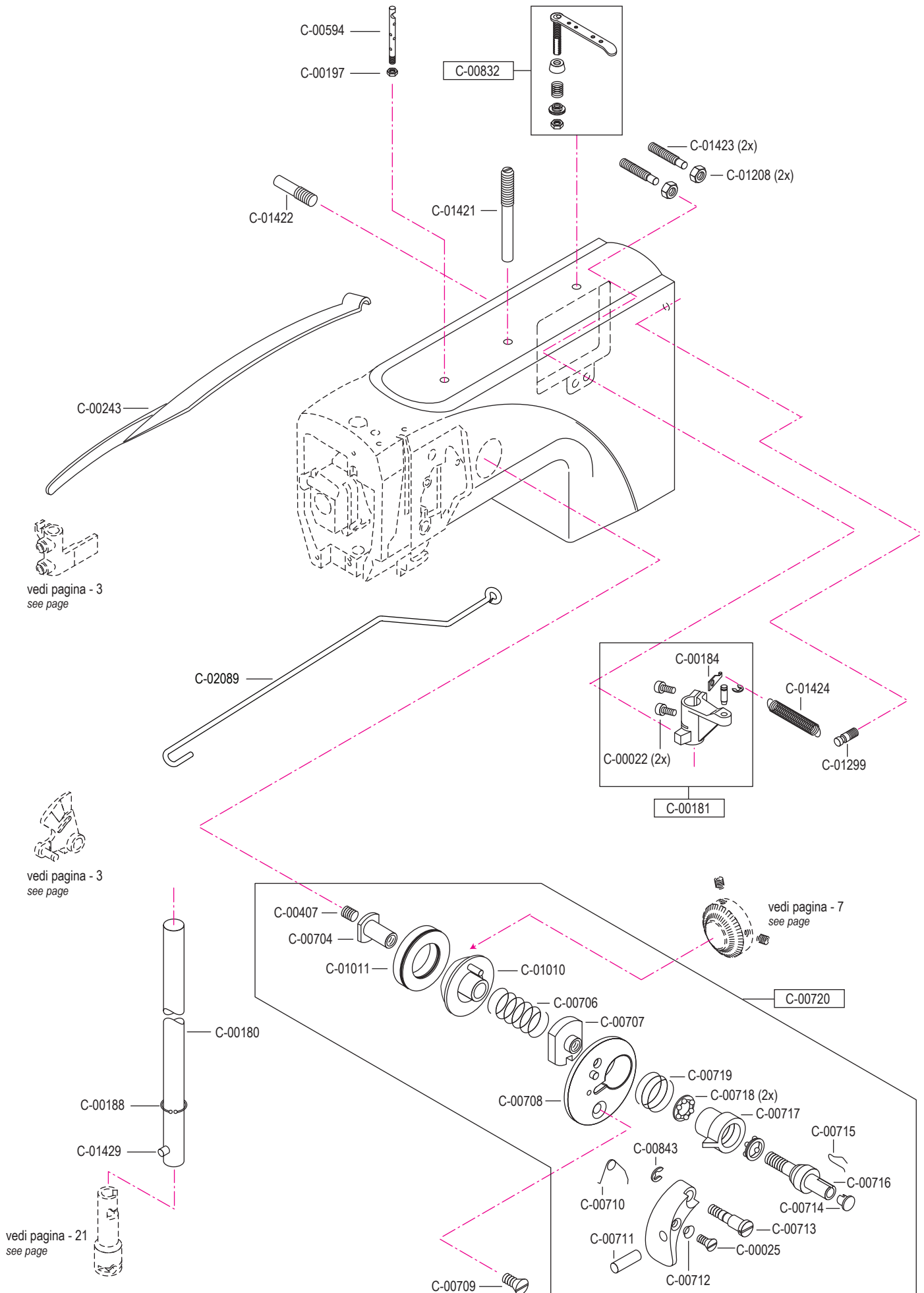


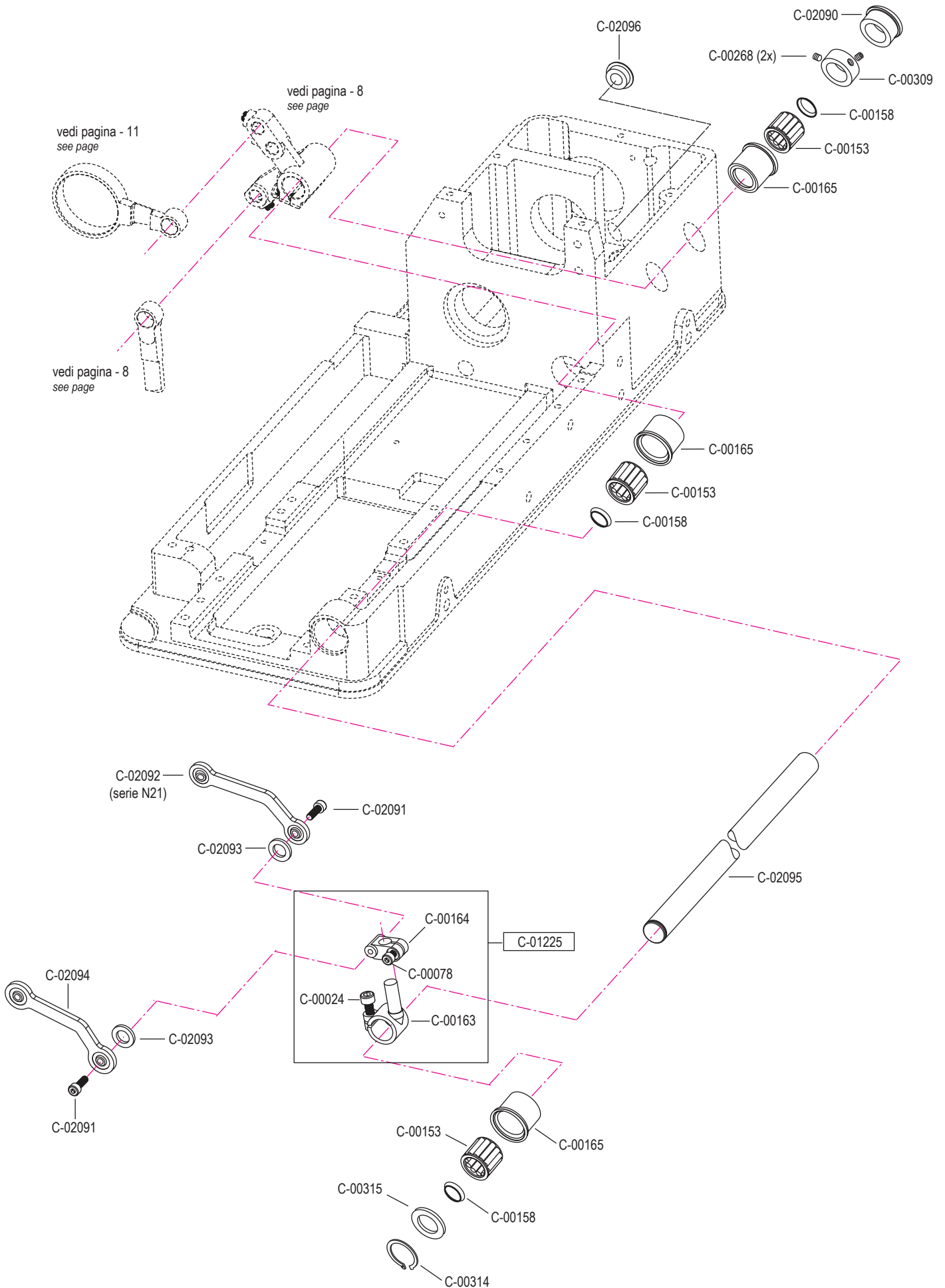


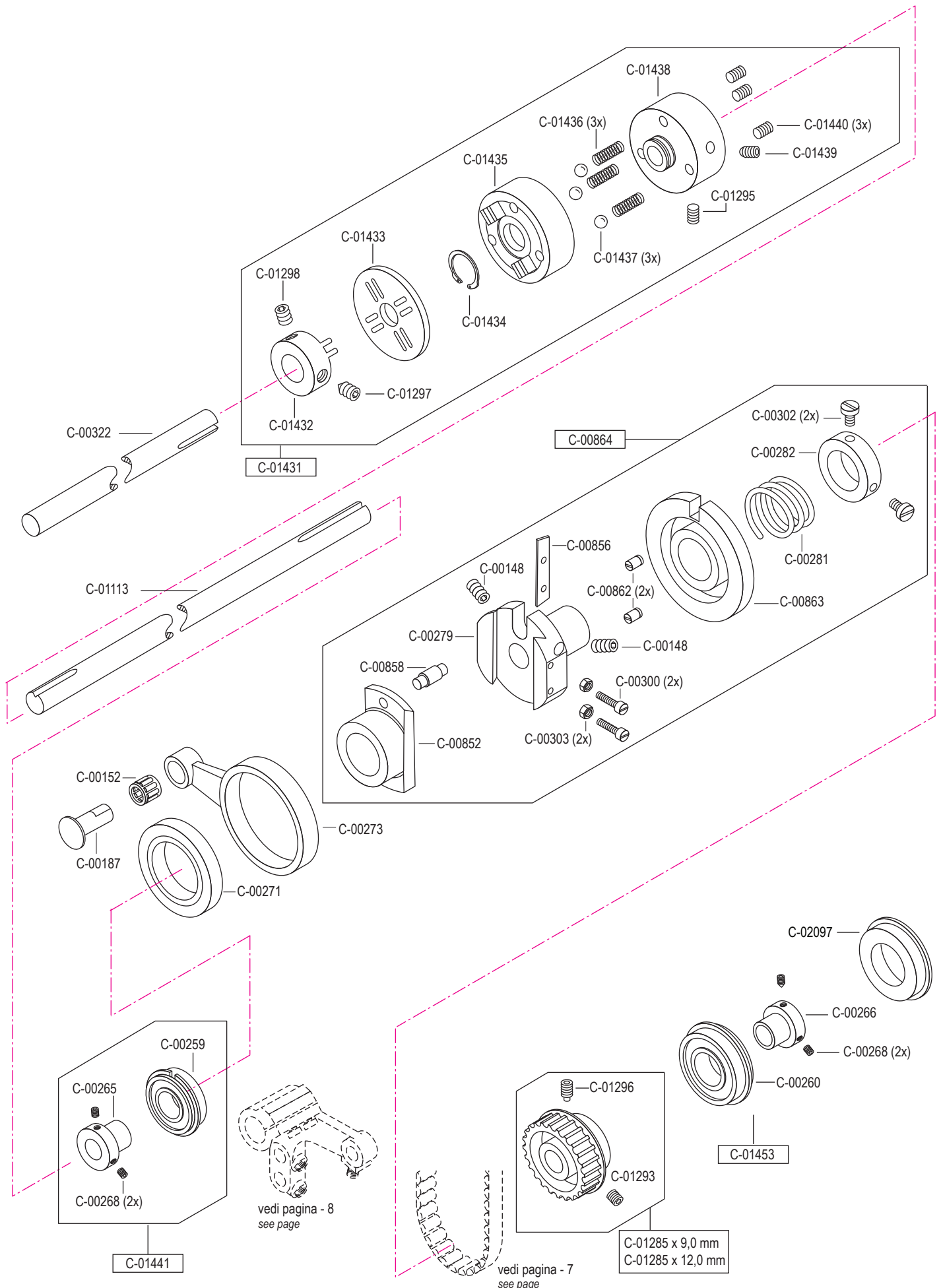


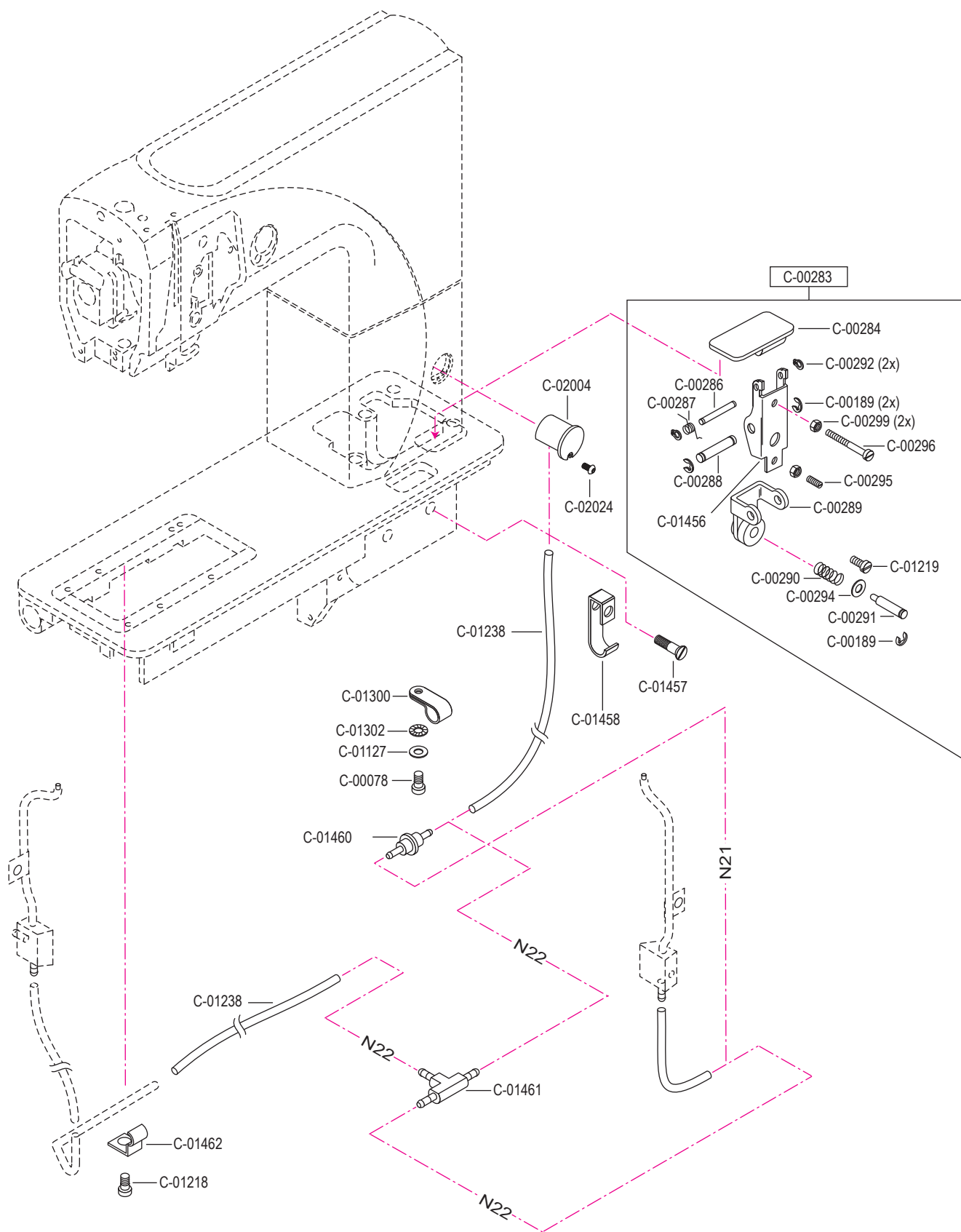


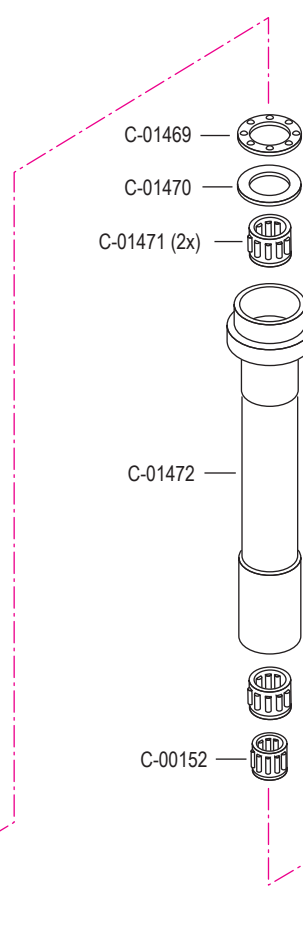
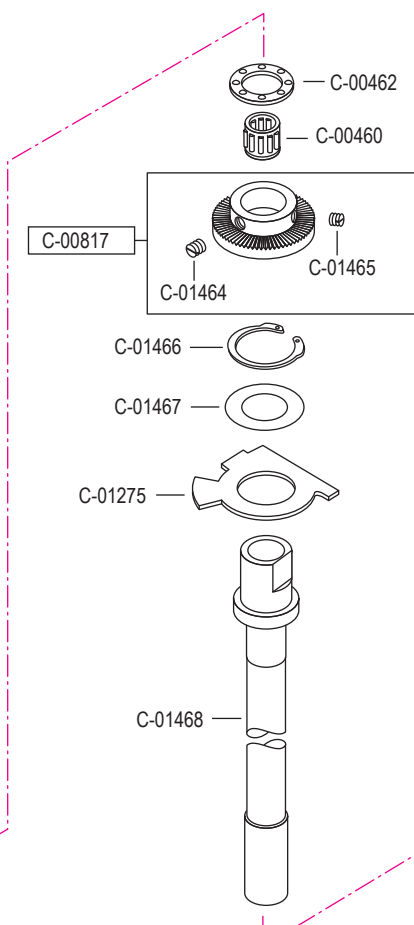
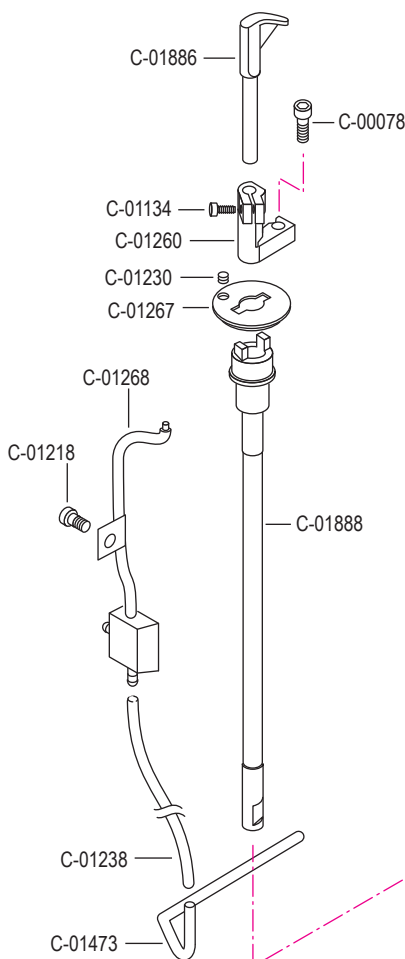
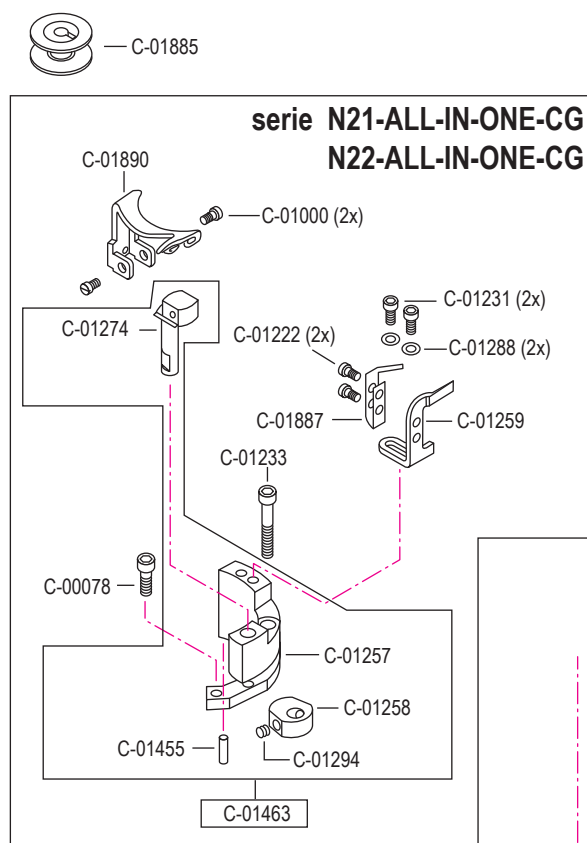
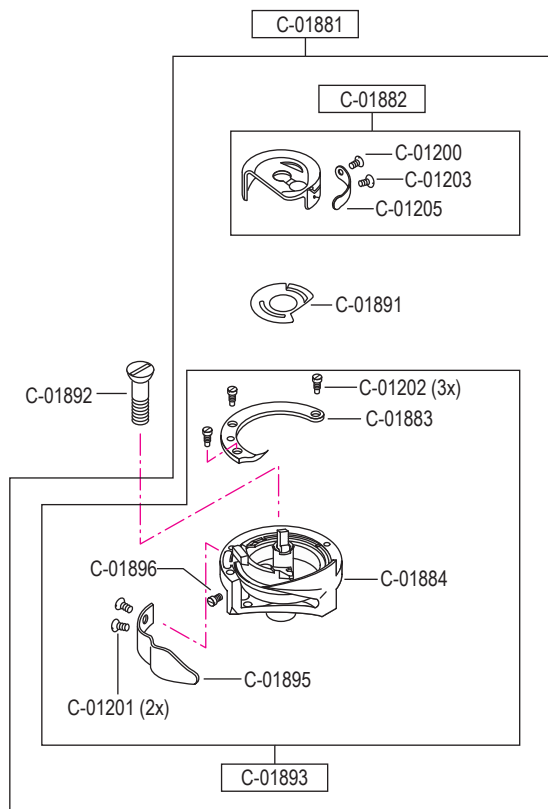


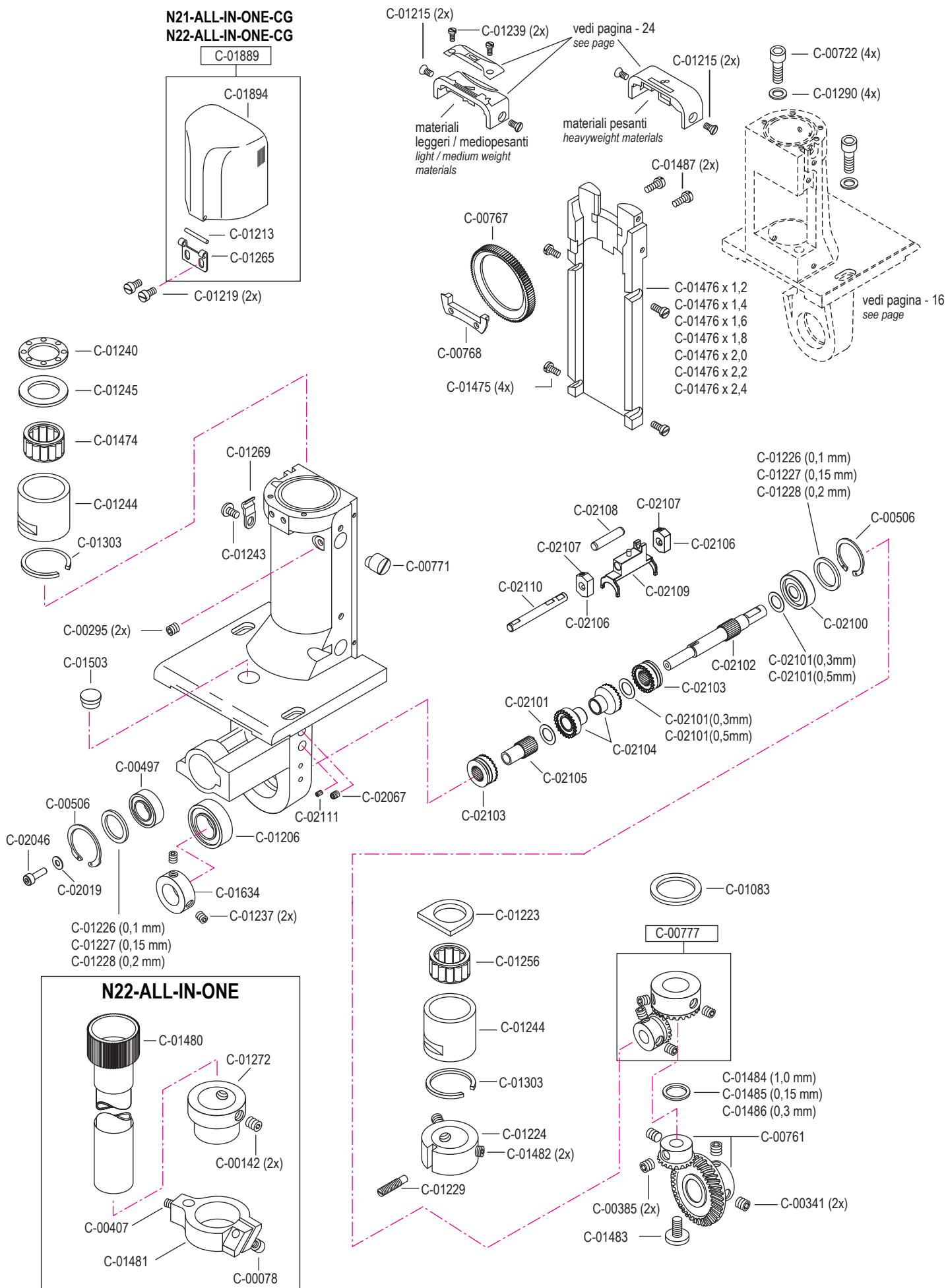




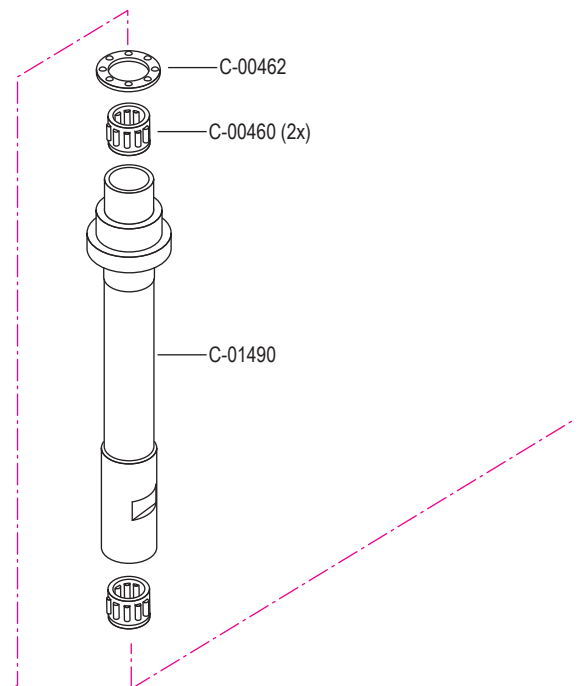
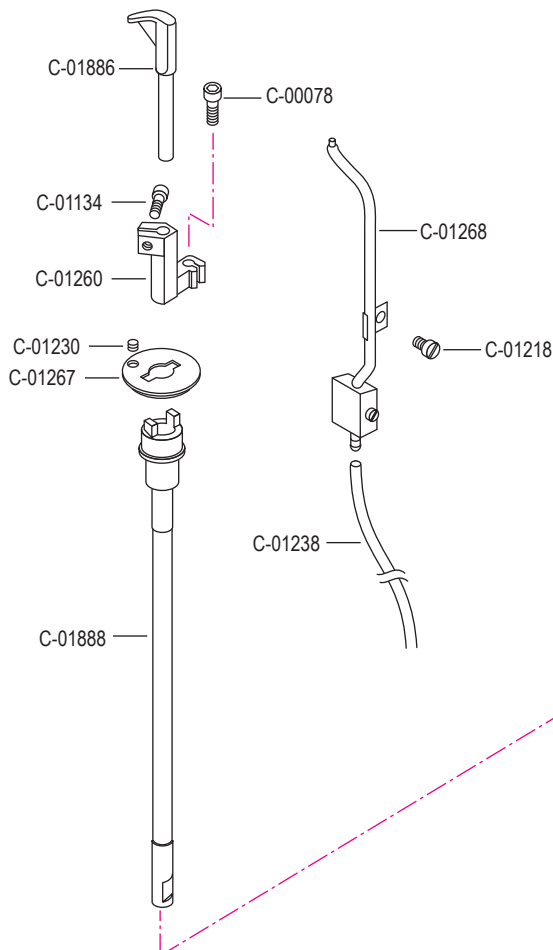
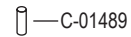
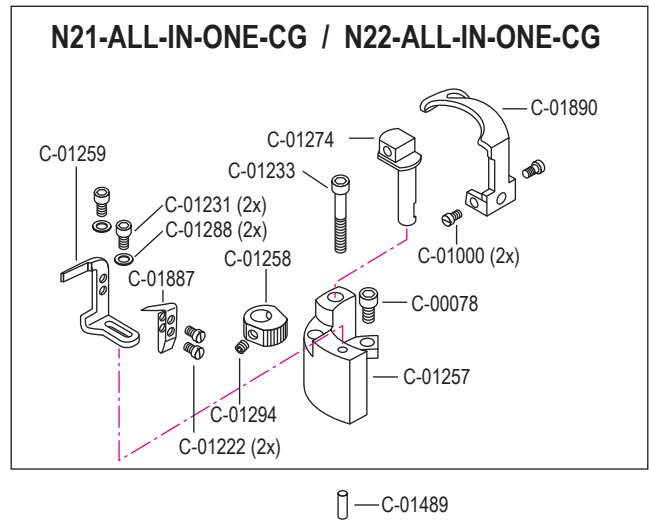
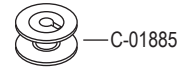
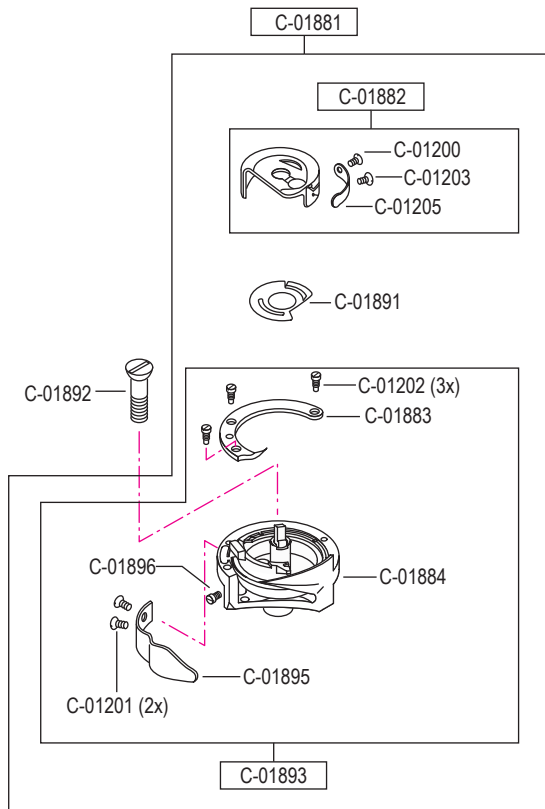






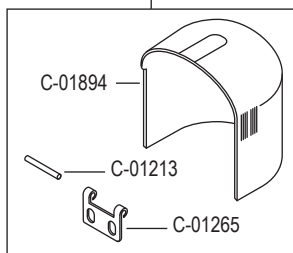






**N21-ALL-IN-ONE-CG  
N22-ALL-IN-ONE-CG**

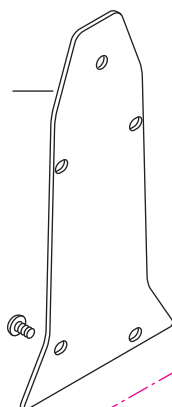
C-01889



C-01219 (2x)



C-01491 (2x - N21)  
C-01492 (2x - N22)



C-00295



C-00771

C-01240

C-01245



C-01269

C-01243

C-01254  
(8x - N21),  
(10x - N22)

C-01237 (2x)

C-01634

C-01493

C-01494

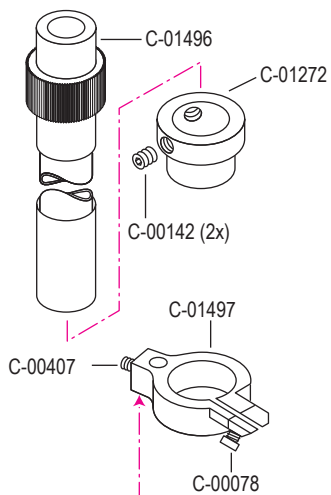
C-01275

C-01495

C-01206

C-01304

**N21-ALL-IN-ONE / N22-ALL-IN-ONE**



per connessione vedi pagina - 20  
for connection see page

C-01223

C-01256 (2x)

C-01244 (2x)

C-01303 (2x)

C-01229

C-01224

C-01498 (2x)

C-01499

C-01500 (2x)

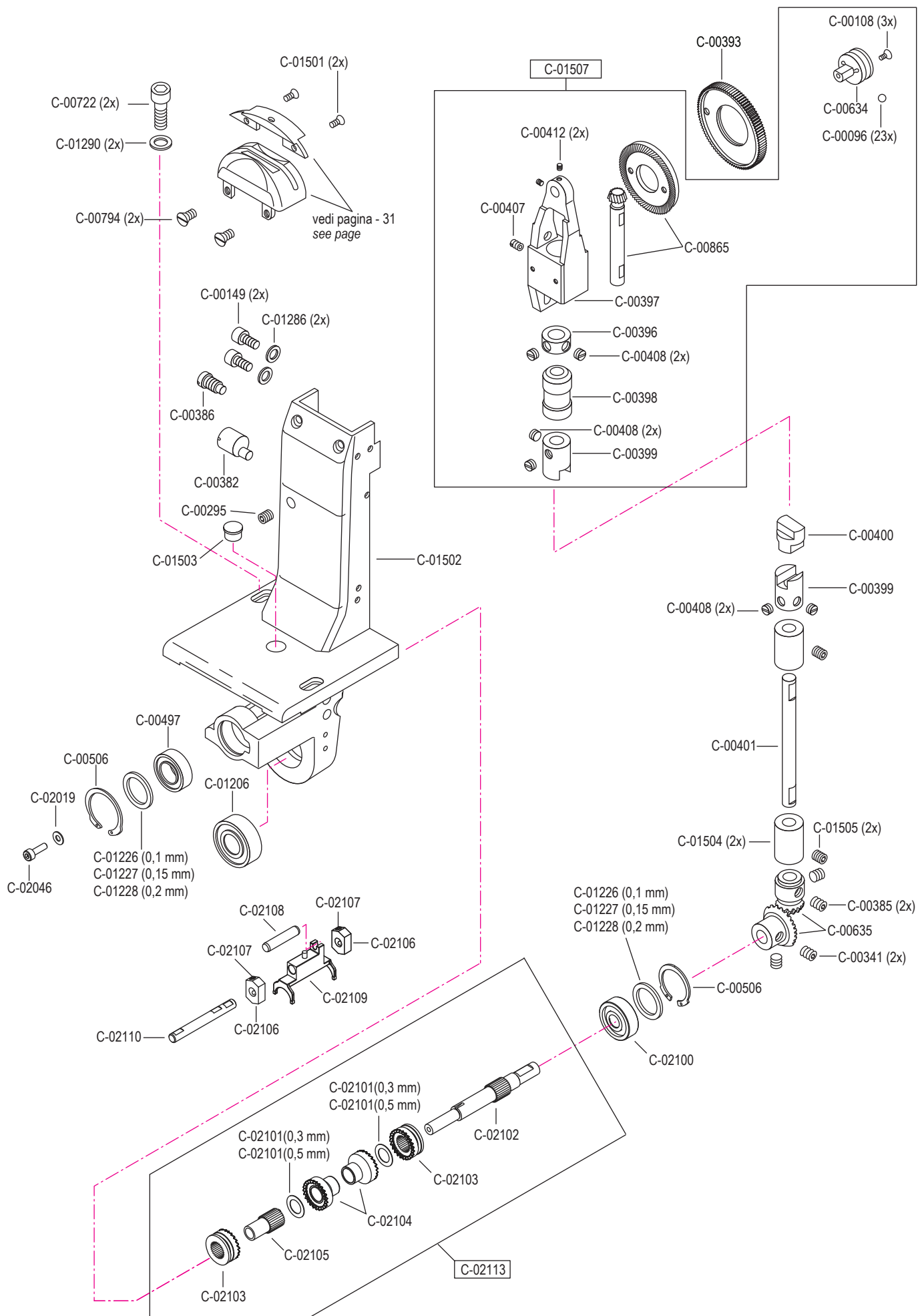
C-00761

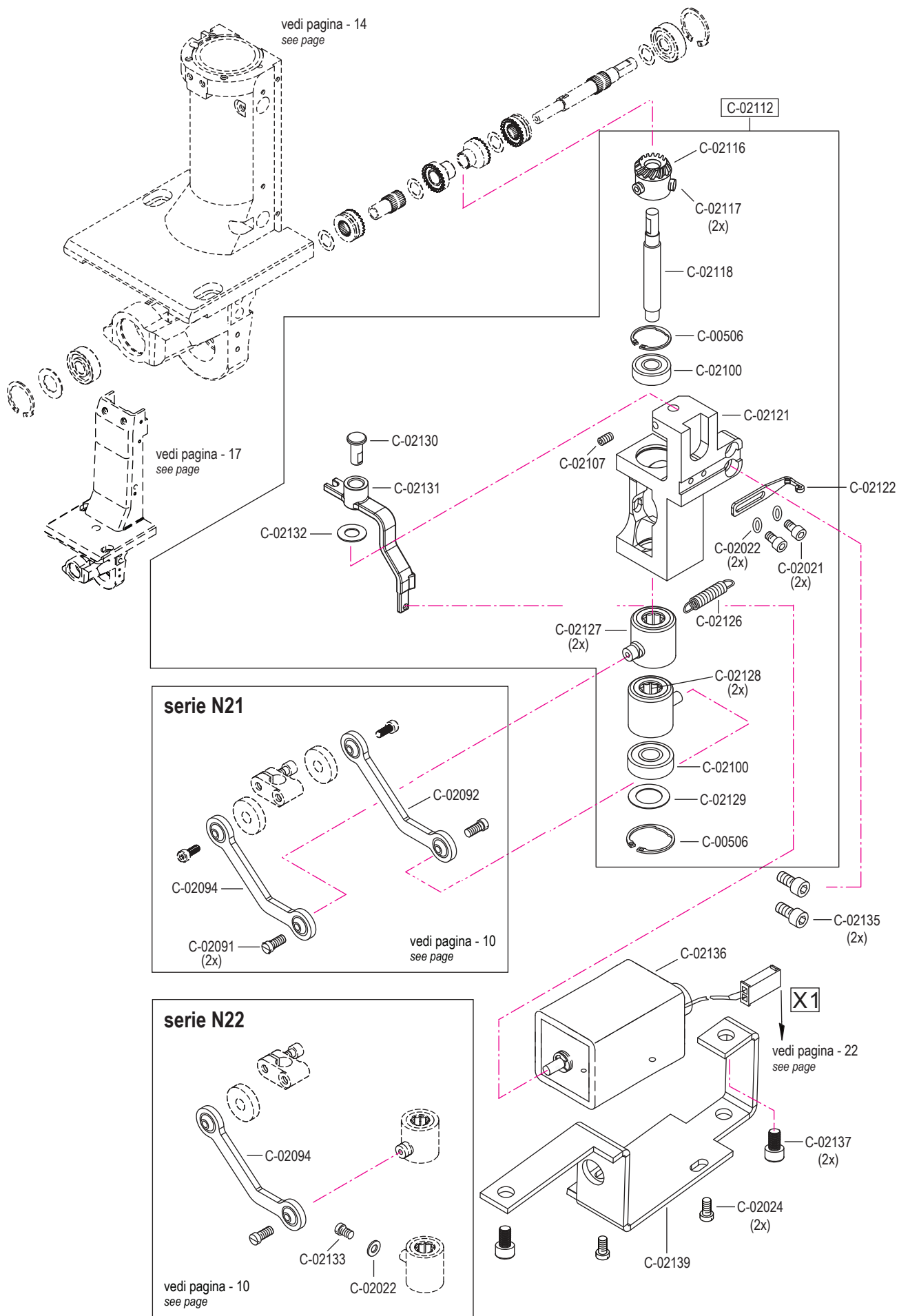
C-00385 (2x)

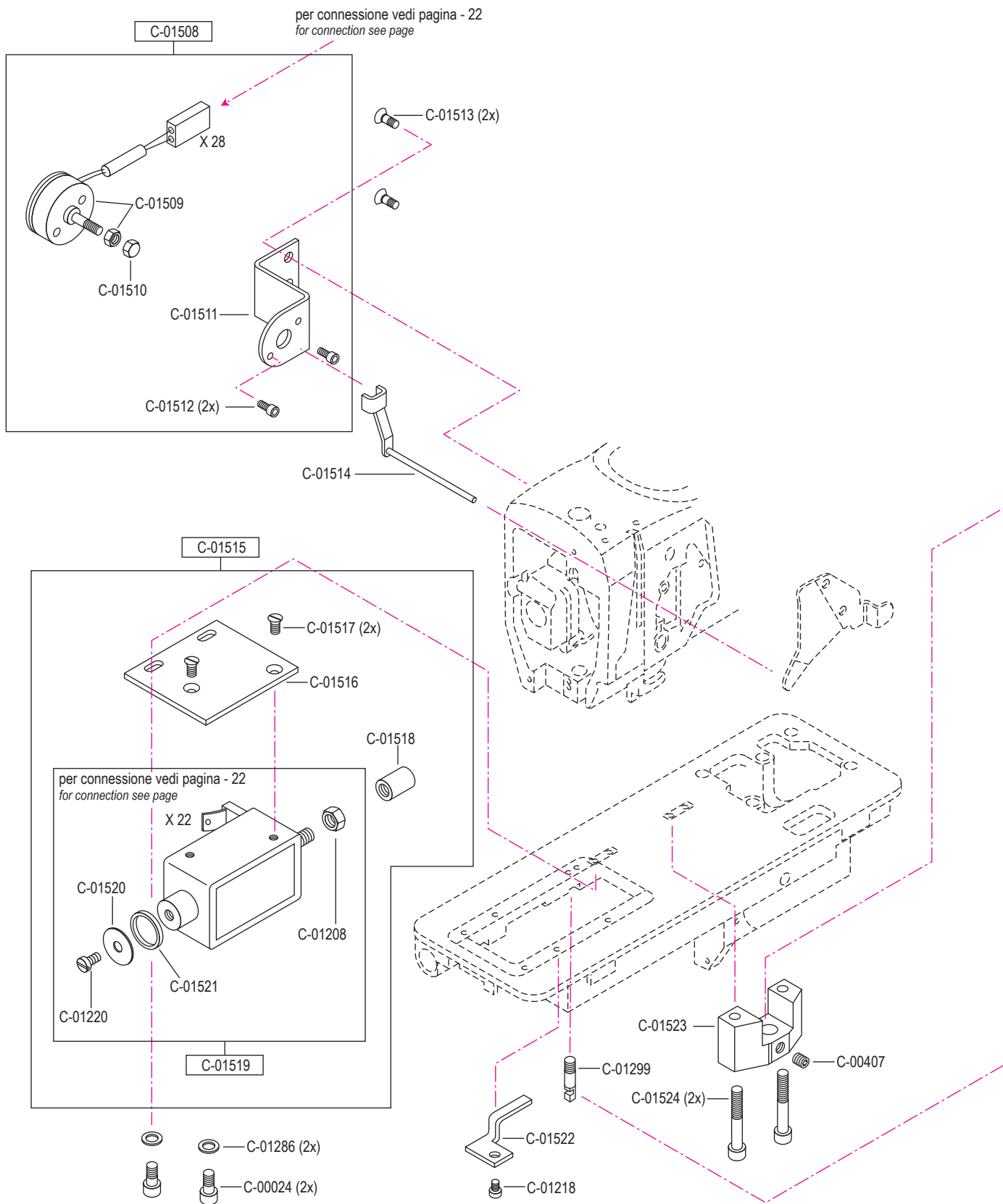
C-00341 (2x)

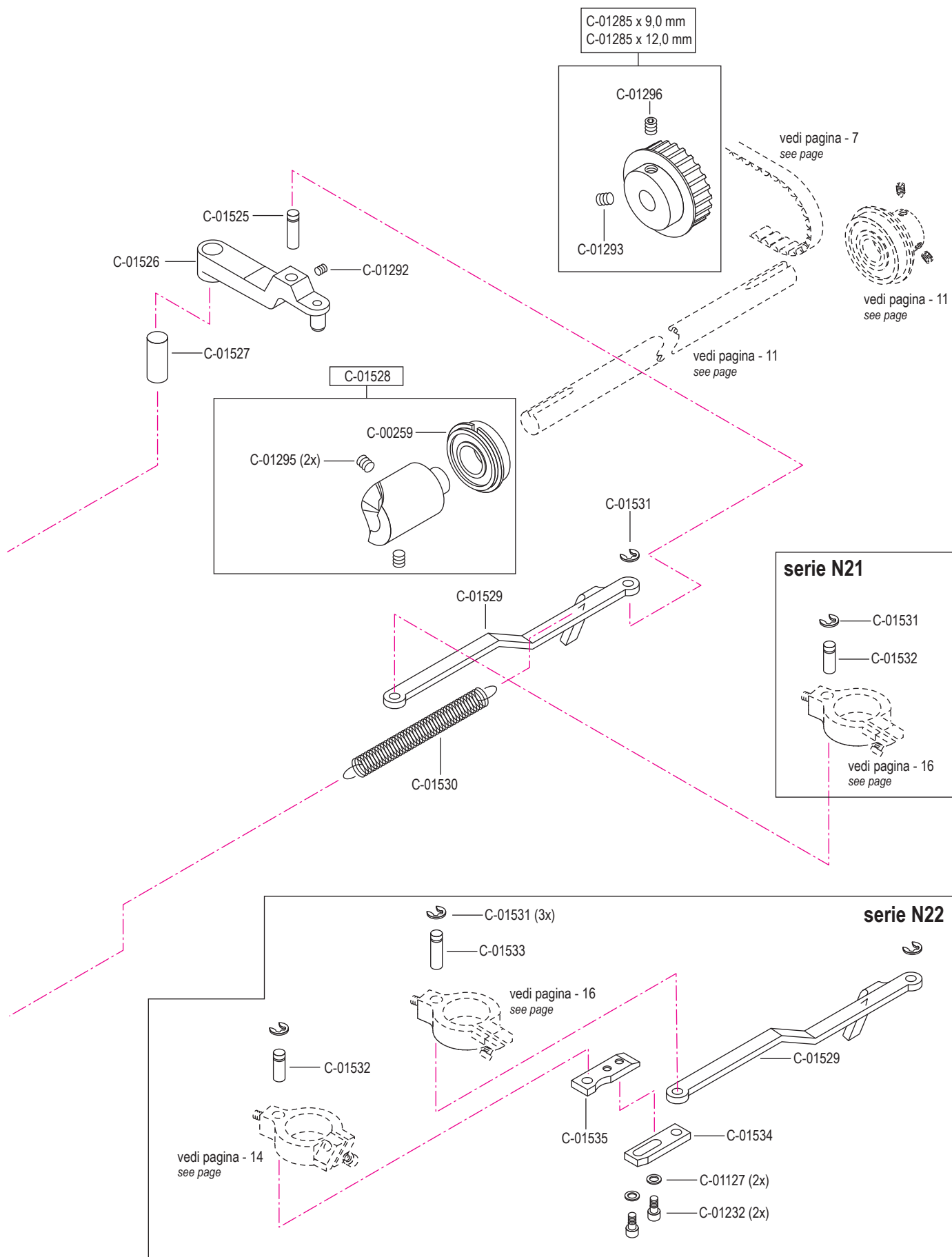
C-01237 (2x)

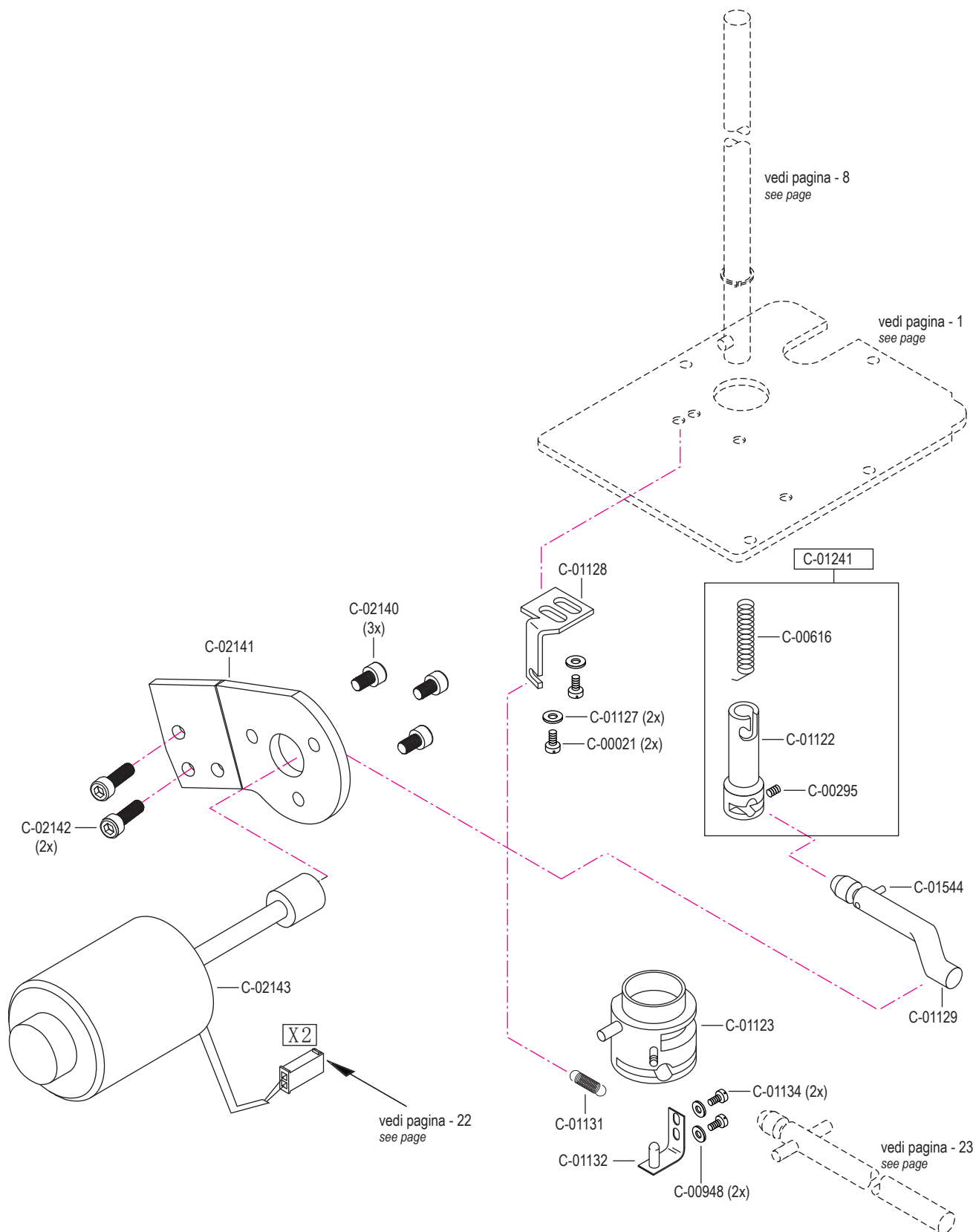
C-01634

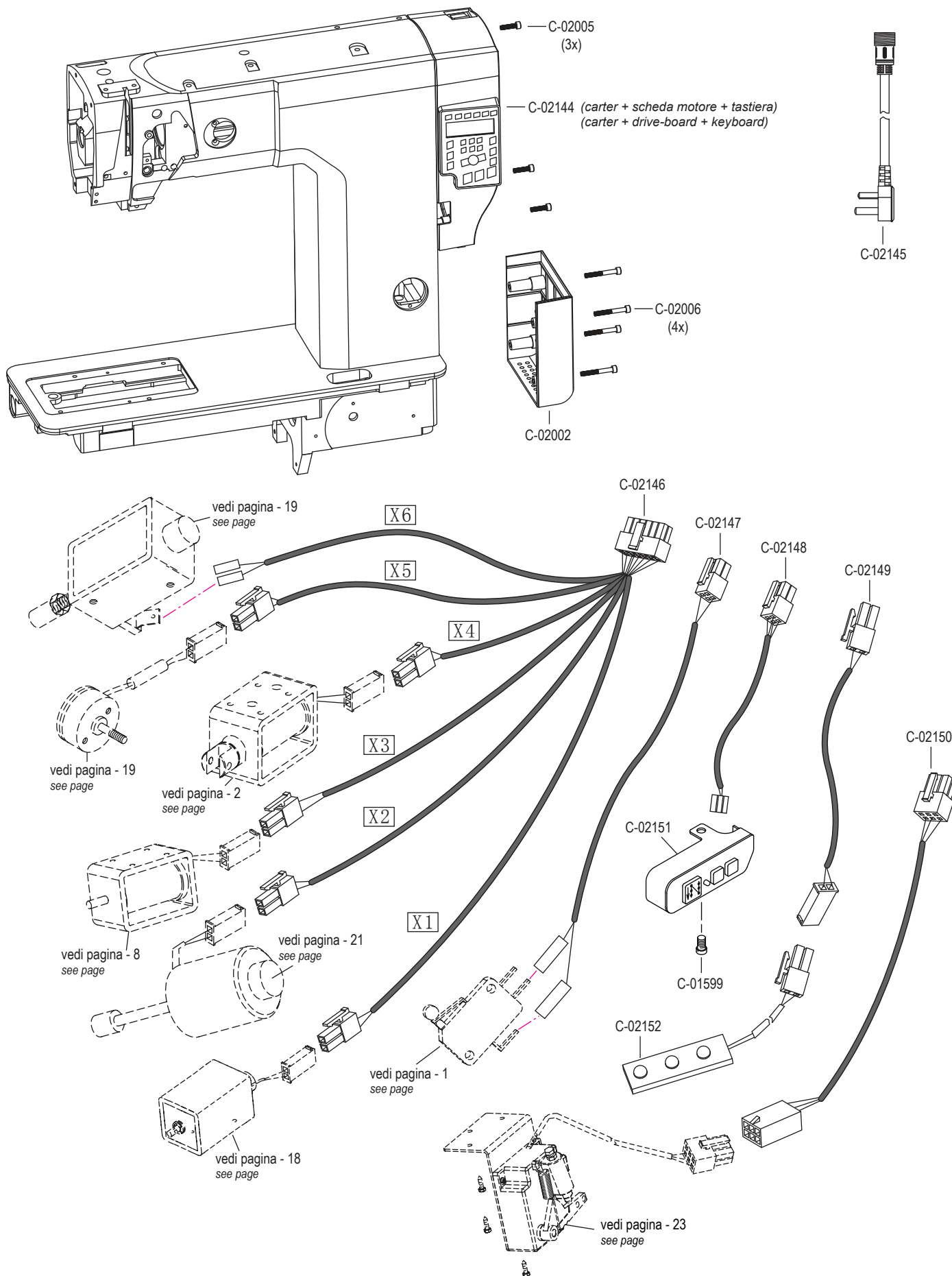




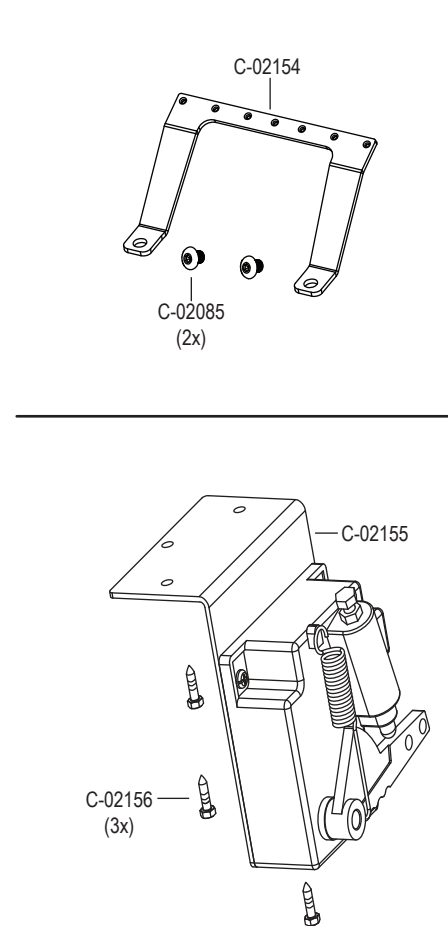
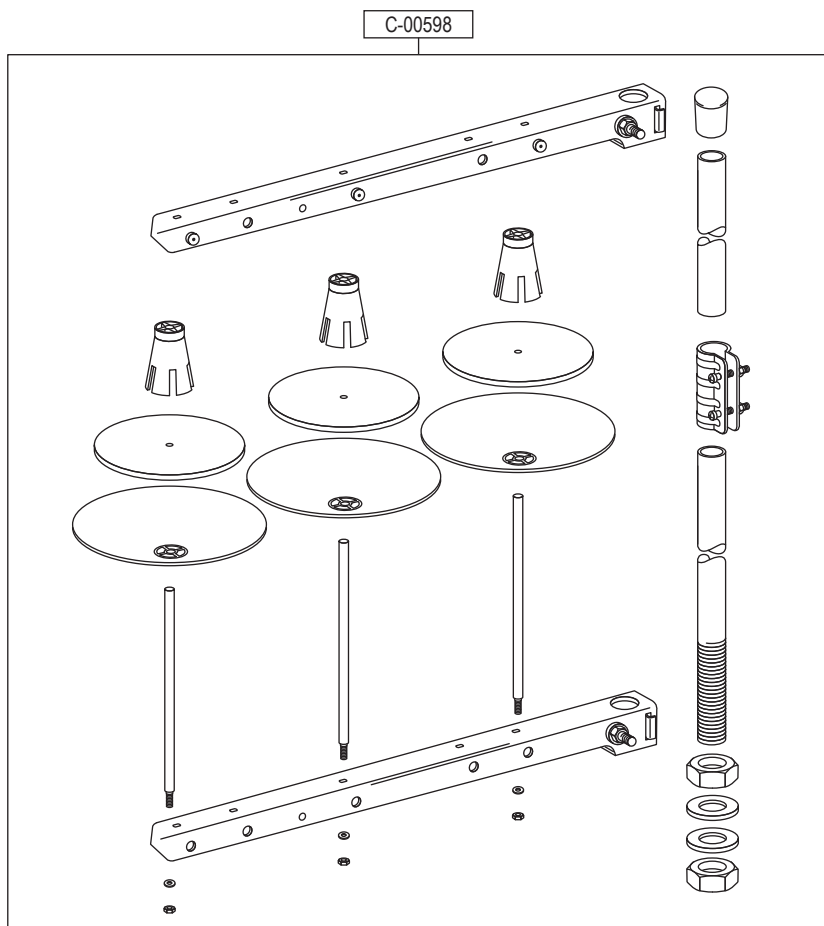




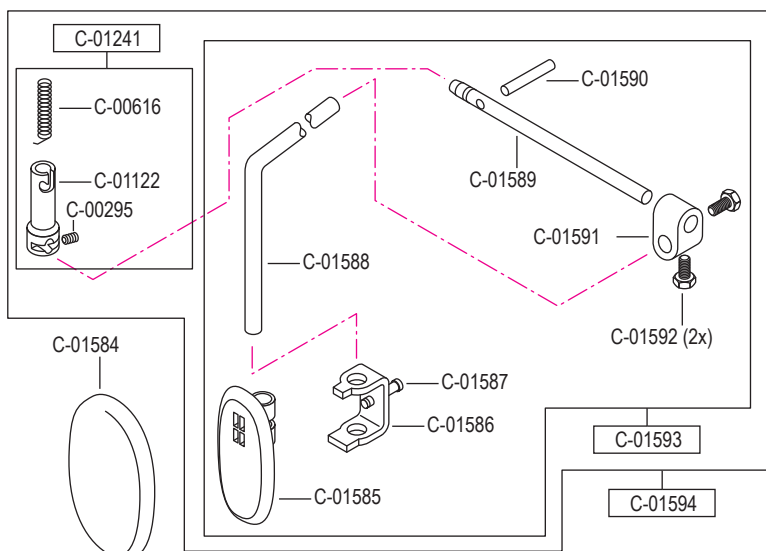




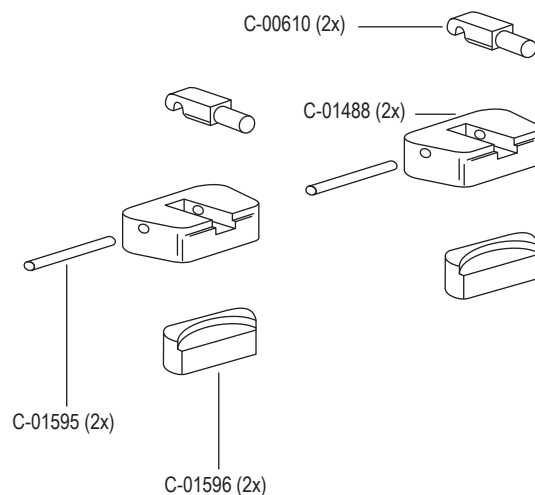




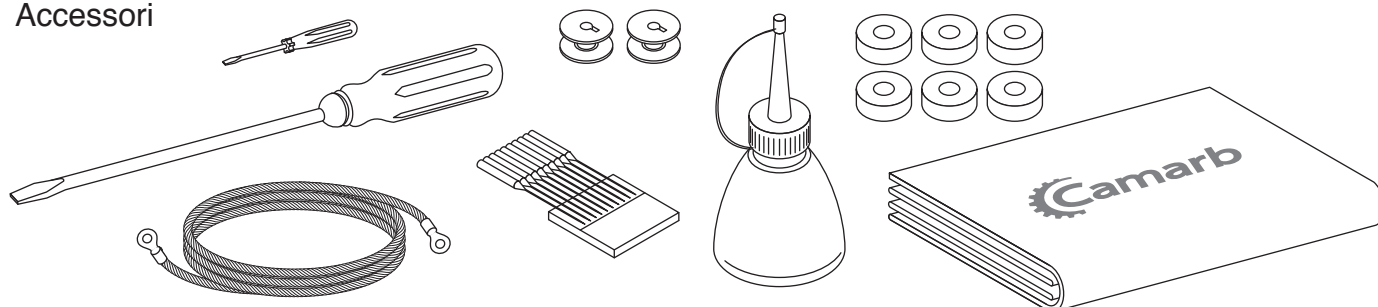
**Gruppo alzapiedino**



**Parti del piano**



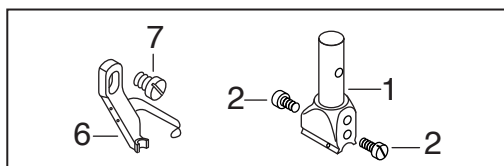
**Accessori**



## N22-N-ALL-IN-ONE-CG N22-ALL-IN-ONE-CG

Per cuciture elaborate e di assemblaggio su **materiali leggeri**.

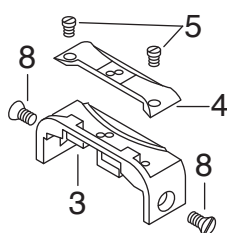
For sewing fancy seams and assembly seams on **lightweight materials**.



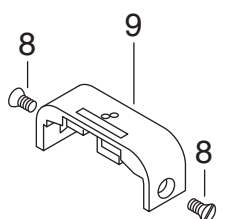
pezzo part	codice code	dist. aghi placca needle plate size	dist. aghi morsetto needle holder size
1-2	C-00176		2,4
2	C-01614		
6	C-01616	0,8	2,4
	C-01616	1,0	2,4
	C-01616	1,2	2,4
	C-01616	1,4	2,4
	C-01616	1,6	2,4
	C-01616	1,8	2,4
	C-01616	2,0	2,4
	C-01616	2,2	2,4
7	C-01134		

pezzo part	codice code	dist. aghi placca needle plate size	dist. aghi morsetto needle holder size
3 - 5	C-01618	1,2	2,4
	C-01618	1,4	2,4
	C-01618	1,6	2,4
	C-01618	1,8	2,4
	C-01618	2,0	2,4
	C-01618	2,2	2,4
3	C-01619	1,2	2,4
	C-01619	1,4	2,4
	C-01619	1,6	2,4
	C-01619	1,8	2,4
	C-01619	2,0	2,4
	C-01619	2,2	2,4
4	C-01620	(1,0) x 0,8	2,4
	C-01620	1,0	2,4
	C-01620	1,2	2,4
	C-01620	(1,4) x 1,2	2,4
	C-01620	1,4	2,4
	C-01620	1,6	2,4
	C-01620	(1,4) x 1,6	2,4
	C-01620	1,8	2,4
	C-01620	2,0	2,4
	C-01620	2,2	2,4
5	C-01239		
8	C-01215		

**materiali mediopesanti**  
**mediumweight materials.**

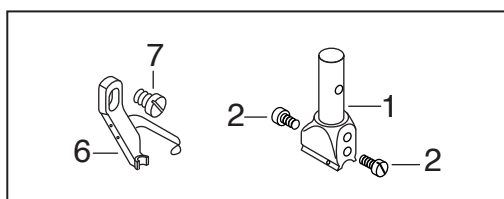


**materiali pesanti**  
**heavyweight materials.**



Per cuciture elaborate e di assemblaggio su **materiali mediopesanti e pesanti**.

For sewing fancy seams and assembly seams on **mediumweight / heavyweight materials**.



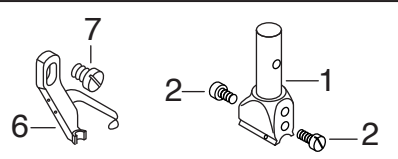
pezzo part	codice code	dist. aghi placca needle plate size	dist. aghi morsetto needle holder size
1-2	C-00176		3,2
2	C-01614		
6	C-01617	1,2	3,2
	C-01617	1,4	3,2
	C-01617	1,6	3,2
	C-01617	1,8	3,2
	C-01617	2,0	3,2
	C-01617	2,2	3,2
	C-01617	2,4	3,2
	C-01617	2,8	3,2
7	C-01134		

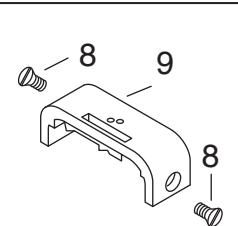
pezzo part	codice code	dist. aghi placca needle plate size	dist. aghi morsetto needle holder size
3 - 5	C-01621	1,2	3,2
	C-01621	1,4	3,2
	C-01621	1,6	3,2
	C-01621	1,8	3,2
	C-01621	2,0	3,2
	C-01621	2,2	3,2
	C-01621	2,4	3,2
	C-01621	2,8	3,2
3	C-01622	1,2	3,2
	C-01622	1,4	3,2
	C-01622	1,6	3,2
	C-01622	1,8	3,2
	C-01622	2,0	3,2
	C-01622	2,2	3,2
	C-01622	2,4	3,2
	C-01622	2,8	3,2
4	C-01623	1,2	3,2
	C-01623	1,4	3,2
	C-01623	1,6	3,2
	C-01623	1,8	3,2
	C-01623	2,0	3,2
	C-01623	2,2	3,2
	C-01623	2,4	3,2
	C-01623	2,8	3,2
5	C-01239		
8	C-01215		
9	C-01621 RINF	1,6	3,2
	C-01621 RINF	1,8	3,2
	C-01621 RINF	2,0	3,2
	C-01621 RINF	2,2	3,2

## N22-N-ALL-IN-ONE-CG / N22-ALL-IN-ONE-CG

Versione / Type "C" Rinf

Per cuciture elaborate e di assemblaggio su materiali pesanti per antinfortunistica  
For sewing fancy seams and assembly seams on accident prevention materials.

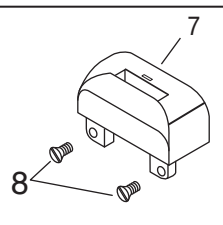
			
pezzo part	codice code	dist. aghi placa	dist. aghi morsetto
1-2	C-00176	2,0 - 2,2	3,2 - 3,6
2	C-01614		

		pezzo part	codice code
		9	C-01621 rinf-x 1,8
		9	C-01621 rinf-x 2,0
		9	C-01621 rinf-x 2,2
		8	C-01215 rinf-x 4

## N21-ALL-IN-ONE-CG

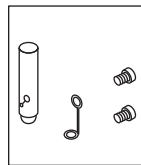
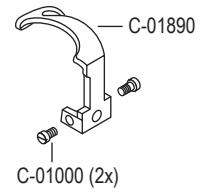
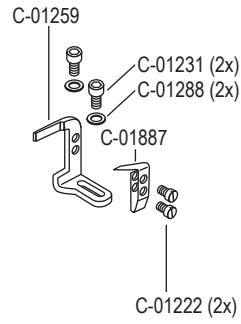
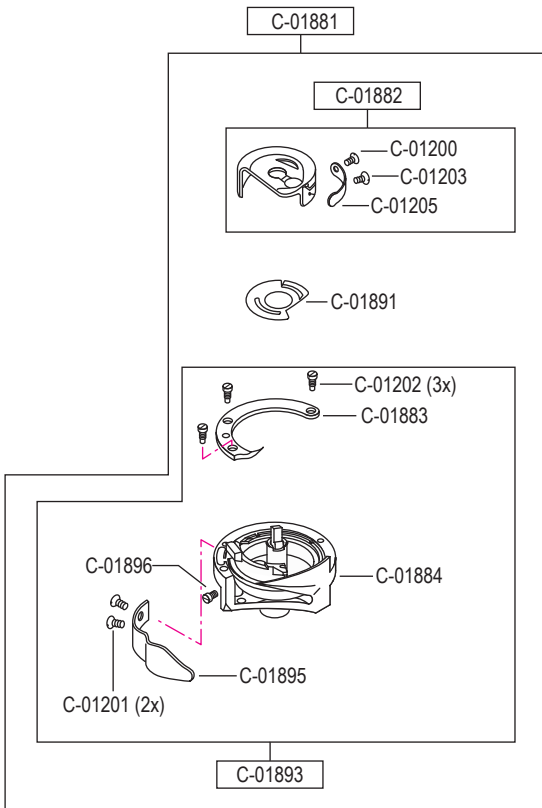
Versione / Type "C" Rinf

Per cuciture elaborate e di assemblaggio su materiali pesanti per antinfortunistica  
For sewing fancy seams and assembly seams on accident prevention materials.

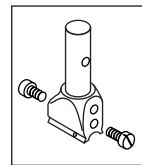
		pezzo part	codice code
		7	C-01625 rinf C
		8	C-00794

<b>N21-ALL-IN-ONE-CG</b>		pezzo / part	codice / code		
		1	C-00740		
		2	C-00742		
		3	C-01000		
		4	C-00741		
<b>Versione / Type "A"</b> Per cuciture elaborate e di assemblaggio su <b>materiali leggeri.</b> For sewing fancy seams and assembly seams on <b>lightweight materials.</b>		5 - 7	C-01625-A		
		5	C-01626-A		
		6	C-01627-A		
		7	C-01501		
		8	C-00794		
		<b>Versione / Type "B"</b> Per cuciture elaborate e di assemblaggio su <b>materiali mediopesanti.</b> For sewing fancy seams and assembly seams on <b>mediumweight materials.</b>		5 - 7	C-01625-B
				5	C-01626-B
				6	C-01627-B
7	C-01501				
8	C-00794				
<b>Versione / Type "C"</b> Per cuciture elaborate e di assemblaggio su <b>materiali mediopesanti e pesanti.</b> For sewing fancy seams and assembly seams on <b>medium to medium heavyweight materials.</b>				5 - 7	C-01625-C
				5	C-01626-C
				6	C-01627-C
		7	C-01501		
		8	C-00794		

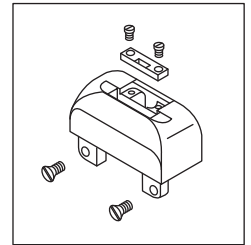
<b>N21-N-ALL-IN-ONE-CG</b>		pezzo / part	codice / code		
		1	C-00740		
		2	C-00742		
		3	C-01000		
		4	C-00741		
<b>Versione / Type "B"</b> Per cuciture elaborate e di assemblaggio su <b>materiali mediopesanti.</b> For sewing fancy seams and assembly seams on <b>mediumweight materials.</b>		5 - 7	C-01628-B		
		5	C-01629-B		
		6	C-01630-B		
		7	C-01501		
		8	C-00794		
		<b>Versione / Type "C"</b> Per cuciture elaborate e di assemblaggio su <b>materiali mediopesanti e pesanti.</b> For sewing fancy seams and assembly seams on <b>medium to medium heavyweight materials.</b>		5 - 7	C-01628-C
				5	C-01629-C
				6	C-01630-C
7	C-01501				
8	C-00794				



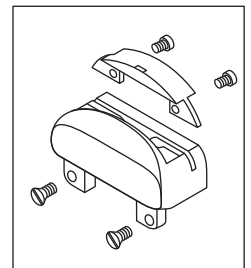
vedi pagina 26  
see page 26



vedi pagina 24  
see page 24



vedi pagina 26  
see page 26

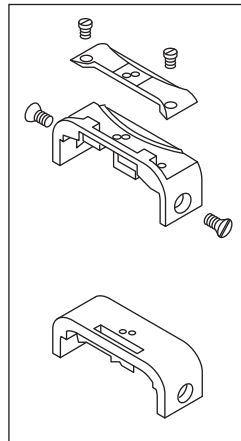


vedi pagina 26  
see page 26

C-00767



C-01011



vedi pagina 24  
see page 24

C-00715

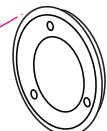
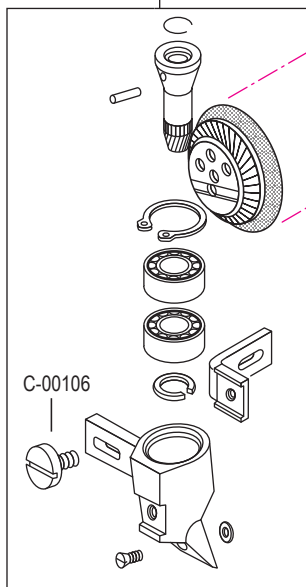


C-00630 (2x)



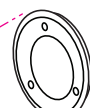
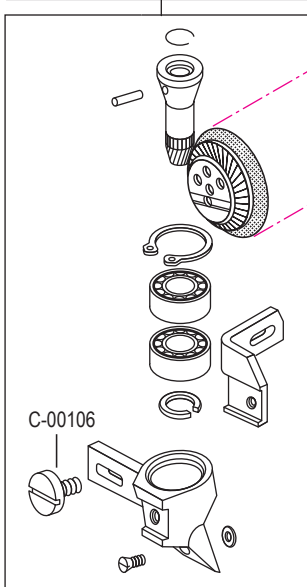
C-01248

C-01058  
C-01058G (versione rotella in gomma)  
(version with rubber roller foot)



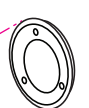
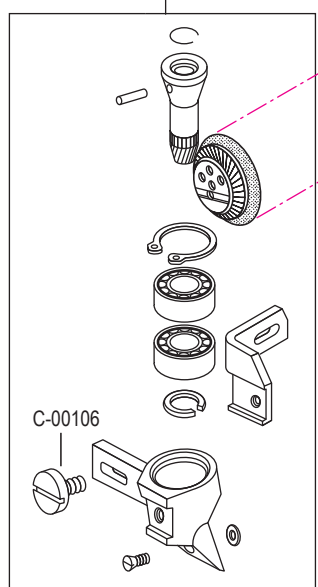
C-01851  
gommino rotella  
Ø35 mm  
roller foot rubber

C-00083  
C-00083G (versione rotella in gomma)  
(version with rubber roller foot)



C-01852  
gommino rotella  
Ø30 mm  
roller foot rubber

C-00081  
C-00081G (versione rotella in gomma)  
(version with rubber roller foot)



C-01853  
gommino rotella  
Ø25 mm  
roller foot rubber

Cod	Pag	Cod	Pag	Cod	Pag	Cod	Pag	Cod	Pag
C-00012.....	4	C-00106.....	2	C-00184.....	9	C-00291.....	12	C-00407.....	9
C-00021.....	21	C-00106.....	3	C-00187.....	11	C-00292.....	12	C-00407.....	14
C-00022.....	9	C-00106.....	27	C-00188.....	9	C-00294.....	12	C-00407.....	16
C-00024.....	1	C-00108.....	17	C-00189.....	3	C-00295.....	5	C-00407.....	17
C-00024.....	2	C-00129.....	7	C-00189.....	6	C-00295.....	6	C-00407.....	19
C-00024.....	7	C-00142.....	3	C-00189.....	8	C-00295.....	12	C-00408.....	17
C-00024.....	10	C-00142.....	7	C-00189.....	12	C-00295.....	14	C-00412.....	17
C-00024.....	19	C-00142.....	8	C-00194.....	4	C-00295.....	16	C-00460.....	13
C-00025.....	9	C-00142.....	14	C-00197.....	9	C-00295.....	17	C-00460.....	15
C-00036.....	5	C-00142.....	16	C-00205.....	4	C-00295.....	21	C-00462.....	13
C-00036.....	6	C-00148.....	11	C-00206.....	4	C-00295.....	23	C-00462.....	15
C-00048.....	5	C-00149.....	7	C-00213.....	4	C-00296.....	12	C-00497.....	14
C-00048.....	6	C-00149.....	8	C-00219.....	4	C-00299.....	5	C-00497.....	17
C-00049.....	5	C-00149.....	17	C-00221.....	4	C-00299.....	6	C-00506.....	14
C-00049.....	6	C-00152.....	11	C-00233.....	3	C-00299.....	12	C-00506.....	17
C-00051.....	5	C-00152.....	13	C-00242.....	3	C-00300.....	11	C-00506.....	18
C-00051.....	6	C-00153.....	4	C-00243.....	9	C-00302.....	11	C-00594.....	9
C-00060.....	5	C-00153.....	8	C-00244.....	3	C-00303.....	11	C-00598.....	23
C-00060.....	6	C-00153.....	10	C-00246.....	3	C-00309.....	10	C-00610.....	23
C-00063.....	2	C-00157.....	4	C-00252.....	3	C-00314.....	10	C-00616.....	21
C-00067.....	2	C-00157.....	8	C-00259.....	11	C-00315.....	2	C-00616.....	23
C-00071.....	2	C-00158.....	4	C-00259.....	20	C-00315.....	10	C-00630.....	2
C-00074.....	2	C-00158.....	8	C-00260.....	11	C-00322.....	11	C-00630.....	27
C-00075.....	2	C-00158.....	10	C-00265.....	11	C-00341.....	14	C-00634.....	17
C-00076.....	2	C-00159.....	8	C-00266.....	11	C-00341.....	16	C-00635.....	17
C-00077.....	2	C-00163.....	2	C-00268.....	10	C-00341.....	17	C-00704.....	9
C-00078.....	2	C-00163.....	10	C-00268.....	11	C-00382.....	17	C-00706.....	9
C-00078.....	10	C-00164.....	2	C-00271.....	11	C-00385.....	14	C-00707.....	9
C-00078.....	12	C-00164.....	10	C-00273.....	11	C-00385.....	16	C-00708.....	9
C-00078.....	13	C-00165.....	4	C-00279.....	11	C-00386.....	17	C-00709.....	9
C-00078.....	14	C-00165.....	8	C-00281.....	11	C-00393.....	17	C-00710.....	9
C-00078.....	15	C-00165.....	10	C-00282.....	11	C-00396.....	17	C-00711.....	9
C-00078.....	16	C-00169.....	4	C-00283.....	12	C-00397.....	17	C-00712.....	9
C-00079.....	2	C-00175.....	4	C-00284.....	12	C-00398.....	17	C-00713.....	9
C-00081.....	27	C-00176.....	24	C-00286.....	12	C-00399.....	17	C-00714.....	9
C-00081G.....	27	C-00176.....	25	C-00287.....	12	C-00400.....	17	C-00715.....	9
C-00083.....	27	C-00177.....	4	C-00288.....	12	C-00401.....	17	C-00715.....	27
C-00083G.....	27	C-00180.....	9	C-00289.....	12	C-00407.....	3	C-00716.....	9
C-00096.....	17	C-00181.....	9	C-00290.....	12	C-00407.....	3	C-00717.....	9

Cod	Pag	Cod	Pag	Cod	Pag	Cod	Pag	Cod	Pag
C-00718	9	C-00972	2	C-01134	15	C-01218	12	C-01238	13
C-00719	9	C-00973	2	C-01134	21	C-01218	13	C-01238	15
C-00720	9	C-00977	2	C-01134	24	C-01218	15	C-01239	14
C-00721	8	C-00978	2	C-01144	2	C-01218	19	C-01239	24
C-00722	14	C-00979	2	C-01200	13	C-01219	12	C-01240	14
C-00722	17	C-00980	2	C-01200	15	C-01219	14	C-01240	16
C-00723	8	C-00981	2	C-01200	27	C-01219	16	C-01241	21
C-00740	4	C-00982	2	C-01201	13	C-01220	1	C-01241	23
C-00740	26	C-00984	2	C-01201	15	C-01220	19	C-01242	5
C-00741	4	C-00984C	2	C-01201	27	C-01221	1	C-01242	6
C-00741	26	C-01000	4	C-01202	13	C-01222	13	C-01243	14
C-00742	4	C-01000	13	C-01202	15	C-01222	15	C-01243	16
C-00742	26	C-01000	15	C-01202	27	C-01222	27	C-01244	14
C-00761	14	C-01000	26	C-01203	13	C-01223	14	C-01244	16
C-00761	16	C-01000	27	C-01203	15	C-01223	16	C-01245	14
C-00767	14	C-01010	9	C-01203	27	C-01224	14	C-01245	16
C-00767	27	C-01011	9	C-01204	1	C-01224	16	C-01247	5
C-00768	14	C-01011	27	C-01205	13	C-01225	2	C-01247	6
C-00771	14	C-01058	2	C-01205	15	C-01225	10	C-01248	5
C-00771	16	C-01058	27	C-01205	27	C-01226	14	C-01248	6
C-00777	14	C-01058G	2	C-01206	14	C-01226	17	C-01248	27
C-00794	17	C-01058G	27	C-01206	16	C-01227	14	C-01249	5
C-00794	26	C-01083	14	C-01206	17	C-01227	17	C-01249	6
C-00817	13	C-01113	11	C-01208	9	C-01228	14	C-01250	5
C-00832	9	C-01121	8	C-01208	19	C-01228	17	C-01250	6
C-00843	5	C-01122	21	C-01209	5	C-01229	14	C-01251	6
C-00843	6	C-01122	23	C-01209	6	C-01229	16	C-01252	5
C-00843	9	C-01123	21	C-01210	5	C-01230	13	C-01252	6
C-00851	4	C-01127	3	C-01210	6	C-01230	15	C-01254	5
C-00852	11	C-01127	12	C-01211	5	C-01231	13	C-01254	6
C-00856	11	C-01127	20	C-01211	6	C-01231	15	C-01254	16
C-00858	11	C-01127	21	C-01212	5	C-01231	27	C-01255	1
C-00859	4	C-01128	21	C-01212	6	C-01232	3	C-01255	5
C-00862	11	C-01129	21	C-01213	14	C-01232	20	C-01255	5
C-00863	11	C-01131	21	C-01213	16	C-01233	13	C-01255	5
C-00864	11	C-01132	21	C-01213	16	C-01233	15	C-01255	6
C-00865	17	C-01134	3	C-01215	14	C-01237	14	C-01256	14
C-00948	21	C-01134	3	C-01215	24	C-01237	16	C-01256	16
C-00957	1	C-01134	13	C-01215	25	C-01238	12	C-01257	13

Cod	Pag	Cod	Pag	Cod	Pag	Cod	Pag	Cod	Pag
C-01257.....	15	C-01288.....	3	C-01316.....	1	C-01360.....	4	C-01399.....	6
C-01258.....	13	C-01288.....	13	C-01317.....	1	C-01361.....	4	C-01400.....	6
C-01258.....	15	C-01288.....	15	C-01318.....	1	C-01362.....	4	C-01401.....	6
C-01259.....	13	C-01288.....	27	C-01319.....	1	C-01363.....	4	C-01405.....	7
C-01259.....	15	C-01289.....	5	C-01323.....	1	C-01364.....	4	C-01406.....	7
C-01259.....	27	C-01289.....	6	C-01324.....	1	C-01365.....	4	C-01413 x 12,0 mm....	7
C-01260.....	13	C-01290.....	14	C-01325.....	1	C-01366.....	4	C-01413 x 9,0 mm.....	7
C-01260.....	15	C-01290.....	17	C-01326.....	1	C-01367.....	4	C-01414 x 12,0 mm....	7
C-01265.....	14	C-01292.....	5	C-01327.....	1	C-01368.....	4	C-01414 x 9,0 mm.....	7
C-01265.....	16	C-01292.....	6	C-01328.....	1	C-01369.....	4	C-01415.....	7
C-01265.....	16	C-01292.....	20	C-01329.....	1	C-01370.....	5	C-01416.....	7
C-01267.....	13	C-01293.....	7	C-01330.....	1	C-01371.....	5	C-01417.....	7
C-01267.....	15	C-01293.....	11	C-01331.....	1	C-01372.....	5	C-01418.....	7
C-01268.....	13	C-01293.....	20	C-01332.....	1	C-01373.....	5	C-01419.....	7
C-01268.....	15	C-01294.....	13	C-01333.....	1	C-01374.....	5	C-01421.....	9
C-01269.....	14	C-01294.....	15	C-01335.....	3	C-01375.....	5	C-01422.....	9
C-01269.....	16	C-01295.....	11	C-01336.....	3	C-01376.....	5	C-01423.....	9
C-01272.....	14	C-01295.....	20	C-01337.....	3	C-01377.....	5	C-01424.....	9
C-01272.....	16	C-01296.....	7	C-01338.....	3	C-01378.....	5	C-01425.....	8
C-01274.....	13	C-01296.....	11	C-01339.....	3	C-01379.....	5	C-01426.....	8
C-01274.....	15	C-01296.....	20	C-01340.....	3	C-01380.....	5	C-01427.....	8
C-01275.....	13	C-01297.....	11	C-01341.....	3	C-01381.....	5	C-01428.....	8
C-01275.....	16	C-01298.....	8	C-01342.....	3	C-01382.....	5	C-01429.....	9
C-01282.....	5	C-01298.....	11	C-01343.....	3	C-01383.....	5	C-01431.....	11
C-01282.....	6	C-01299.....	9	C-01345.....	3	C-01384.....	5	C-01432.....	11
C-01283.....	5	C-01299.....	19	C-01346.....	3	C-01385.....	5	C-01433.....	11
C-01283.....	6	C-01300.....	12	C-01347.....	3	C-01386.....	5	C-01434.....	11
C-01284.....	5	C-01302.....	12	C-01348.....	3	C-01387.....	5	C-01435.....	11
C-01284.....	6	C-01303.....	14	C-01349.....	3	C-01388.....	5	C-01436.....	11
C-01285 x 12,0 mm....	11	C-01303.....	16	C-01350.....	3	C-01389.....	5	C-01437.....	11
C-01285 x 12,0 mm....	20	C-01304.....	16	C-01351.....	3	C-01390.....	6	C-01438.....	11
C-01285 x 9,0 mm.....	11	C-01304.....	17	C-01352.....	3	C-01391.....	6	C-01439.....	11
C-01285 x 9,0 mm.....	20	C-01305.....	5	C-01353.....	3	C-01392.....	6	C-01440.....	11
C-01286.....	1	C-01305.....	5	C-01354.....	4	C-01393.....	6	C-01441.....	11
C-01286.....	1	C-01306.....	1	C-01355.....	4	C-01394.....	6	C-01453.....	11
C-01286.....	2	C-01307.....	1	C-01356.....	4	C-01395.....	6	C-01455.....	13
C-01286.....	7	C-01308.....	1	C-01357.....	4	C-01396.....	6	C-01457.....	12
C-01286.....	17	C-01309.....	1	C-01358.....	4	C-01397.....	6	C-01458.....	12
C-01286.....	19	C-01310.....	1	C-01359.....	4	C-01398.....	6	C-01460.....	12



Cod	Pag	Cod	Pag	Cod	Pag	Cod	Pag	Cod	Pag
C-01461	12	C-01497	16	C-01533	20	C-01627-B	26	C-01888	13
C-01462	12	C-01498	16	C-01534	20	C-01627-C	26	C-01888	15
C-01463	13	C-01499	16	C-01535	20	C-01628-B	26	C-01889	14
C-01464	13	C-01500	16	C-01544	21	C-01628-C	26	C-01889	16
C-01465	13	C-01501	17	C-01547	2	C-01629-B	26	C-01890	13
C-01466	13	C-01501	26	C-01584	23	C-01629-C	26	C-01890	15
C-01467	13	C-01502	17	C-01585	23	C-01630-B	26	C-01890	27
C-01468	13	C-01503	14	C-01586	23	C-01630-C	26	C-01891	13
C-01469	13	C-01503	17	C-01587	23	C-01634	14	C-01891	15
C-01470	13	C-01504	17	C-01588	23	C-01634	16	C-01891	27
C-01471	13	C-01505	17	C-01589	23	C-01793	5	C-01892	13
C-01472	13	C-01507	17	C-01590	23	C-01793	6	C-01892	15
C-01473	13	C-01508	19	C-01591	23	C-01794	6	C-01893	13
C-01474	14	C-01509	19	C-01592	23	C-01795	5	C-01893	15
C-01475	14	C-01510	19	C-01593	23	C-01795	6	C-01893	27
C-01476 x 1,2	14	C-01511	19	C-01594	23	C-01796	6	C-01894	14
C-01476 x 1,4	14	C-01512	19	C-01595	23	C-01851	2	C-01894	16
C-01476 x 1,6	14	C-01513	19	C-01596	23	C-01851	27	C-01895	13
C-01476 x 1,8	14	C-01514	19	C-01599	22	C-01852	27	C-01895	15
C-01476 x 2,0	14	C-01515	19	C-01614	24	C-01853	27	C-01895	27
C-01476 x 2,2	14	C-01516	19	C-01614	25	C-01881	13	C-01896	13
C-01476 x 2,4	14	C-01517	19	C-01616	24	C-01881	15	C-01896	15
C-01480	14	C-01518	19	C-01617	24	C-01881	27	C-01896	27
C-01481	14	C-01519	19	C-01618	24	C-01882	13	C-02001	1
C-01482	14	C-01520	19	C-01619	24	C-01882	15	C-02002	1
C-01483	14	C-01521	19	C-01620	24	C-01882	27	C-02002	22
C-01484	14	C-01522	19	C-01621	24	C-01883	13	C-02003	1
C-01485	14	C-01523	19	C-01621 RINF	25	C-01883	15	C-02004	1
C-01486	14	C-01524	19	C-01621-RINF	24	C-01883	27	C-02004	12
C-01487	14	C-01525	20	C-01622	24	C-01884	13	C-02005	1
C-01488	23	C-01526	20	C-01623	24	C-01884	15	C-02005	22
C-01489	15	C-01527	20	C-01625 RINF C	25	C-01884	27	C-02006	1
C-01490	15	C-01528	20	C-01625-A	26	C-01885	13	C-02006	22
C-01491	16	C-01529	20	C-01625-B	26	C-01885	15	C-02008	1
C-01492	16	C-01529	20	C-01625-C	26	C-01886	13	C-02009	1
C-01493	16	C-01530	20	C-01626-A	26	C-01886	15	C-02010	1
C-01494	16	C-01531	20	C-01626-B	26	C-01887	13	C-02011	1
C-01495	16	C-01532	20	C-01626-C	26	C-01887	15	C-02012	1
C-01496	16	C-01532	20	C-01627-A	26	C-01887	27	C-02013	1

Cod	Pag	Cod	Pag	Cod	Pag	Cod	Pag	Cod	Pag
C-02018.....	1	C-02047.....	2	C-02085.....	23	C-02108.....	17	C-02156.....	23
C-02019.....	1	C-02048.....	2	C-02087.....	8	C-02109.....	14		
C-02019.....	14	C-02049.....	2	C-02088.....	8	C-02109.....	17		
C-02019.....	17	C-02050.....	5	C-02089.....	9	C-02110.....	14		
C-02020.....	1	C-02051.....	7	C-02090.....	10	C-02110.....	17		
C-02021.....	1	C-02052.....	7	C-02091.....	10	C-02111.....	14		
C-02021.....	18	C-02053.....	7	C-02091.....	18	C-02112.....	18		
C-02022.....	1	C-02054.....	7	C-02092.....	10	C-02113.....	17		
C-02022.....	2	C-02055.....	7	C-02092.....	18	C-02116.....	18		
C-02022.....	18	C-02056.....	7	C-02093.....	10	C-02117.....	18		
C-02023.....	1	C-02057.....	7	C-02094.....	10	C-02118.....	18		
C-02024.....	1	C-02058.....	7	C-02094.....	18	C-02121.....	18		
C-02024.....	2	C-02059.....	7	C-02095.....	10	C-02122.....	18		
C-02024.....	8	C-02060.....	7	C-02096.....	10	C-02126.....	18		
C-02024.....	12	C-02061.....	7	C-02097.....	11	C-02127.....	18		
C-02024.....	18	C-02063.....	7	C-02098.....	14	C-02128.....	18		
C-02025.....	2	C-02064.....	7	C-02098.....	17	C-02129.....	18		
C-02026.....	2	C-02065.....	7	C-02098.....	18	C-02130.....	18		
C-02027.....	2	C-02066.....	7	C-02099.....	14	C-02131.....	18		
C-02028.....	2	C-02067.....	7	C-02099.....	17	C-02132.....	18		
C-02028.....	7	C-02067.....	14	C-02100.....	14	C-02133.....	18		
C-02029.....	2	C-02068.....	8	C-02100.....	17	C-02136.....	18		
C-02030.....	2	C-02069.....	8	C-02100.....	18	C-02137.....	18		
C-02031.....	2	C-02070.....	8	C-02101.....	14	C-02139.....	18		
C-02032.....	2	C-02071.....	8	C-02101.....	17	C-02140.....	21		
C-02033.....	2	C-02072.....	8	C-02102.....	14	C-02141.....	21		
C-02034.....	2	C-02073.....	8	C-02102.....	17	C-02142.....	21		
C-02035.....	2	C-02074.....	8	C-02103.....	14	C-02143.....	21		
C-02036.....	2	C-02075.....	8	C-02103.....	17	C-02144.....	22		
C-02039.....	2	C-02076.....	8	C-02104.....	14	C-02145.....	22		
C-02040.....	2	C-02077.....	8	C-02104.....	17	C-02146.....	22		
C-02041.....	2	C-02078.....	8	C-02105.....	14	C-02147.....	22		
C-02042.....	2	C-02079.....	8	C-02105.....	17	C-02148.....	22		
C-02043.....	2	C-02080.....	8	C-02106.....	14	C-02149.....	22		
C-02044.....	2	C-02081.....	8	C-02106.....	17	C-02150.....	22		
C-02045.....	2	C-02082.....	8	C-02107.....	14	C-02151.....	22		
C-02046.....	2	C-02083.....	8	C-02107.....	17	C-02152.....	22		
C-02046.....	14	C-02084.....	8	C-02107.....	18	C-02154.....	23		
C-02046.....	17	C-02085.....	8	C-02108.....	14	C-02155.....	23		

A series of horizontal dashed lines spanning the width of the page, intended for writing notes.

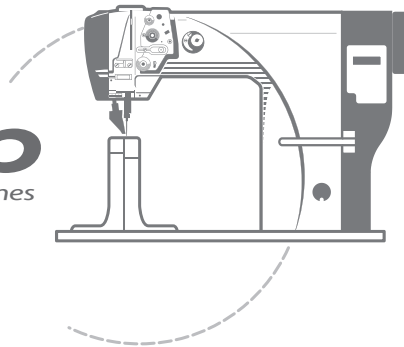
A series of 20 horizontal dashed lines spanning the width of the page, intended for writing notes.

# **CATALOGO RICAMBI**

**SPARE PARTS LIST**

**LISTE DES PIÈCES**

**CATALOG PIESE DE SCHIMB**



**N21-ALL-IN-ONE-CG**

**N22-ALL-IN-ONE-CG**

**N21-N-ALL-IN-ONE-CG**

**N22-N-ALL-IN-ONE-CG**

v. 03-2017



Via Alpi, 149 - 151 - 153  
Zona industriale Villa Luciani  
63812 Montegranaro (FM) Italy  
Phone: +39.0734.890101 - 890912 - 892878  
Fax: +39.890154

[www.bramac.it](http://www.bramac.it)  
e-mail: [bramac@bramac.it](mailto:bramac@bramac.it)